

Contents

1. Introduction	3
2. Safety precautions and warnings	3
3. Product description	5
4. Parts overview	6
4.1 Exploded view	6
4.2 Delivery inspection	6
4.3 Parts list	7
5. Preparation for assembly	9
5.1 Conditions for assembly	9
5.2 Inspection of tools and accessories	11
5.3 Measuring & determining dimensions	12
5.3.1 Height adjustments	13
5.3.2 Roof length	13
5.3.3 Number of posts	14
5.4 Joining patio roofs	15
6. Assembly	17
6.1 Mounting the wall profile	17
6.2 Pre-installing the gutter	19
6.2.1 Installing the leaf catcher in the gutter	19
6.2.2 Attaching the decorative profile to the gutter	20
6.2.3 Installing the steel strip in the gutter	21
6.3 Installing posts, gutter and end rafters	22
6.3.1 Installing posts	22
6.3.2 Installing the gutter	23
6.3.3 Finishing the posts	24
6.3.4 Installing the end rafters	25
6.4 Installing the middle rafters	27
6.5 Preparing and installing the roofing sheets	30
6.6 Finishing	34
7. Maintenance	38
8. Disposal of waste	38
9. Warranty conditions	38
10. Contact	38

KEEP THIS MANUAL IN A SAFE PLACE FOR FUTURE USE!

For the duration and the terms and conditions of the warranty we recommend that you contact your supplier. We also refer you to our General Terms of Sale and Delivery which are available on request. Verandas UK accepts no liability for any damage or injury resulting from a failure to carefully follow the instructions in this manual or exercise due caution during transport, assembly, use and maintenance of the patio roof, As a result of our policy of continuous product improvement, certain product details may differ from what is described in this manual. For this reason the instructions provided only serve as a guideline for installation of the product this manual describes. This manual has been compiled with the utmost care, but Verandas UK cannot be held responsible for any errors in this manual or the consequences thereof. Furthermore, all rights are reserved and no part of this manual may be reproduced in any way whatsoever.

1. Introduction

Congratulations on the purchase of your Verandas UK patio roof!

Before you can start enjoying your patio roof it must be assembled properly. This manual provides clear instructions for all the steps you must complete for correct assembly of your Verandas UK patio roof. We recommend that you take the time to read the entire manual before you begin assembly. Check whether you have received all the necessary parts before you begin assembly. For your safety, follow all the applicable instructions. This also guarantees the safety of the installed roof. If you should have any questions, please feel free to contact your Verandas UK dealer.

This manual should be kept in a safe, dry and shady place. In the event of damage or loss, the user must request a new copy of the manual from the supplier.

2. Safety precautions and warnings



Important:

Please read the safety precautions and warnings before assembling the patio roof.

- During assembly, carefully follow the instructions and guidelines as described in this manual. Never change the order of the steps to be performed. If any aspect of the assembly procedure is unclear, please contact your Verandas UK dealer.
We reserve the right to make technical changes without written notice.
- We normally recommend that the patio roof be installed by two people (qualified technicians/authorized installers) working together.
- Check the delivery immediately upon receipt. In the event of damage or an incomplete delivery please contact your dealer immediately.
- The materials must be stored in a dry, ventilated area, not exposed to direct sunlight.
- Open the packaging carefully. Make sure you do not damage the product.
- To prevent damage to your patio roof, place the parts on a smooth, clean surface. Place the profiles on a flat surface, out of the bright sun or rain.



2. Safety precautions and warnings (continued)

- The addition or removal of parts, or the use or installation of materials other than in the prescribed manner, may adversely affect the safety of the patio roof and is therefore strongly discouraged!
- Cordon off the assembly location so that others are kept at a distance.
- Always wear the correct protective clothing (work gloves, dust mask, safety glasses, shoes with non-slip soles, etc.) when performing the work.
- Always place a ladder on a firm, stable surface.
- Mount the system against a firm, flat wall and on a flat, stable foundation or stone surface. Ensure that wall and ground are clean and dry.
- **Never** stand on the polycarbonate sheets.
The polycarbonate sheets are strong, but insufficiently resistant to point loads. Do not walk on them!
- Make sure all fasteners are properly tightened. Check this regularly.
- Make sure you have caulked the patio roof so it is completely waterproof.
- You must maintain and clean your patio roof at least once a year.
- Dispose of the product in accordance with local laws and regulations.
- Verandas UK accepts no liability for damage or injury caused by failure to strictly follow the safety regulations and instructions in this manual or exercise due caution during assembly, use and maintenance of the product and any related accessories. Verandas UK is not responsible for any form of damage.

3. Product description

The aluminium patio roof type Giallo is composed of posts, gutter profile, wall profile, rafters, polycarbonate roofing sheets, cover strips and the necessary assembly materials.

As standard, a straight decorative gutter is included and rectangular posts, consisting of two parts.

The Verandas UK Giallo patio roof is available as standard in widths of 4060, 5060 or 6060 as a single section; there is no limit to the number of sections that can be joined end to end.

The roof can have a length of 2500, 3000, 3500 or 4000 mm (measured horizontally).

Details

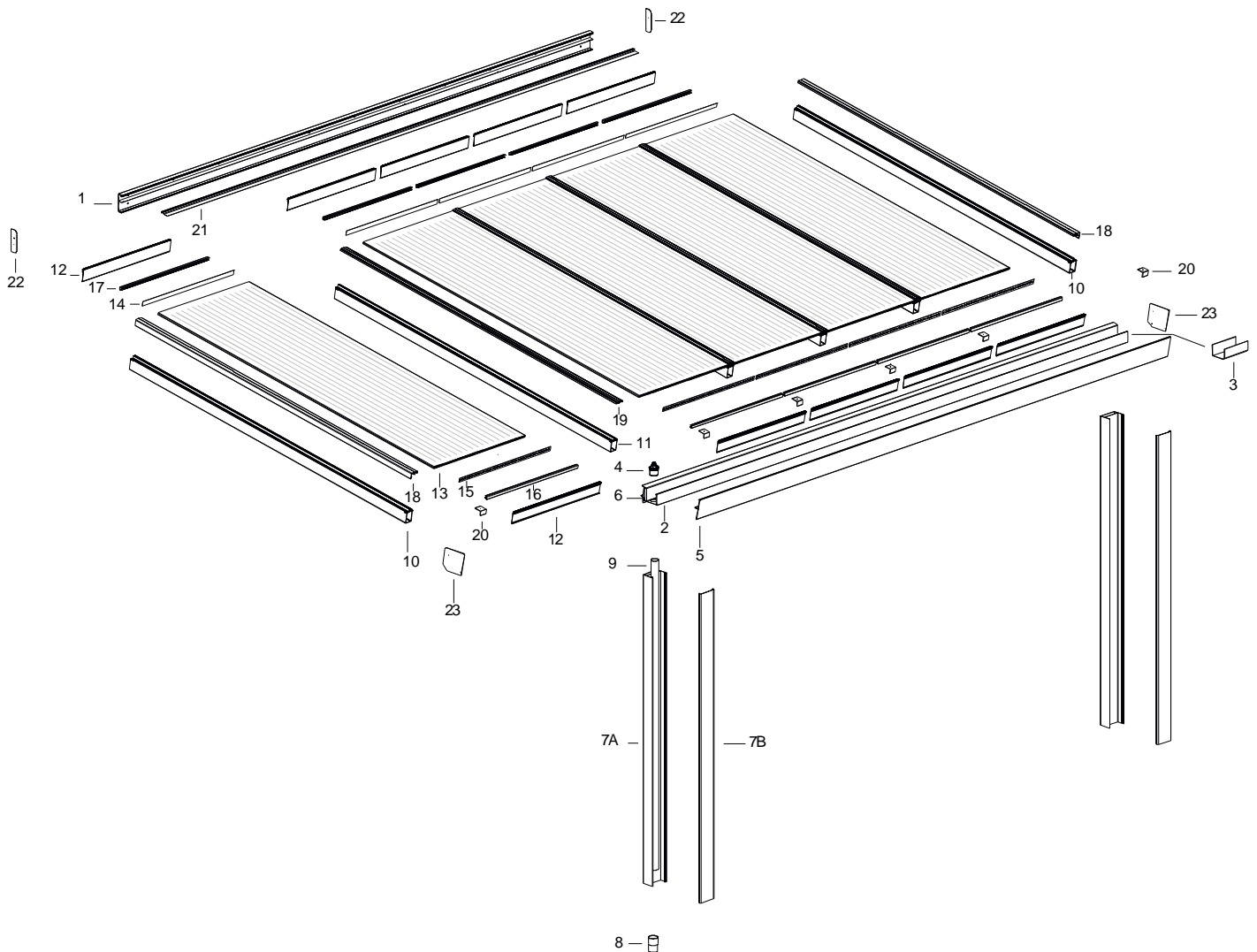
Gutter	Straight
Posts	Rectangular, 115x150 mm, consisting of two parts (U-profile and click-on strip)
Colours	Cream (RAL9001) or Graphite grey, structure (RAL7024)
Roof covering	Polycarbonate (Clear/Ultra-clear/Opal)
Width (mm)	4060/5060/6060 or a multiple thereof.
Length (mm)	2500/3000/3500/4000

A Verandas UK patio roof can be installed on any existing foundation or stone surface. For added strength or when there is no good foundation present, foundation blocks can be used. These foundation blocks can be easily installed out of sight under the posts with the supplied bolts.

The foundation blocks are available with or without a rainwater discharge opening.

4. Parts overview

4.1 Exploded view



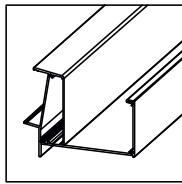
4.2 Delivery inspection

The patio roof shown in this manual is a 5x3 metre Giallo, with two posts. This merely serves as an example. The type and number of components supplied depends on your order.

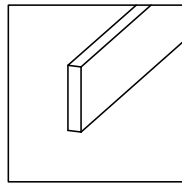
Note: Always carefully check the delivered items against the accompanying delivery note to ensure that the quantity and quality are correct. Any visible defects must be reported in writing within 7 days of delivery.

4.3 Parts list

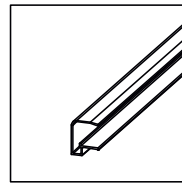
The following overview shows which parts are packed together. Carefully check the individual packaging units against the order form for quantity and quality.



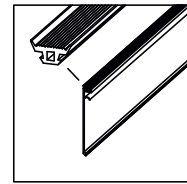
02. Gutter profile



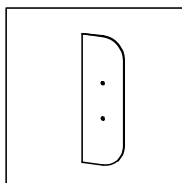
06. Steel strip
20x100 mm



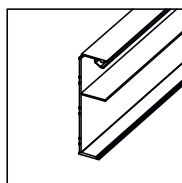
16. Condensation profile
long 17. Condensation
profile short



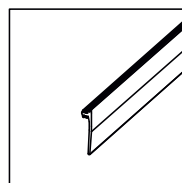
12. Trim click strip



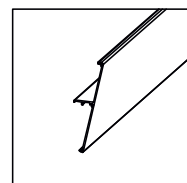
22. Trim cover
wall profile



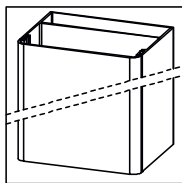
01. Wall profile



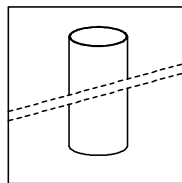
21. Wall profile
rubber



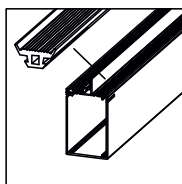
05. Decorative
profile for



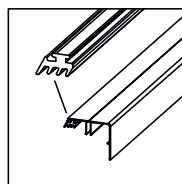
7. Post rectangular
7A. U-profile / 7B. Click-on



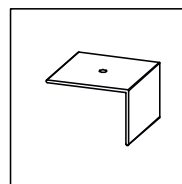
09. Rainwater discharge
pipe \varnothing 60 mm



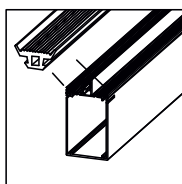
10. End rafter
1x sealing rubber



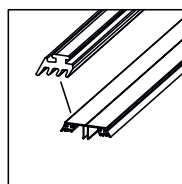
18. End cover strip
1x sealing rubber



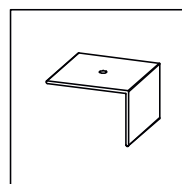
20. Sheet stopper



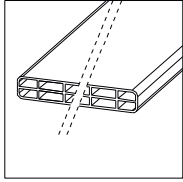
11. Middle rafter
2x sealing rubber



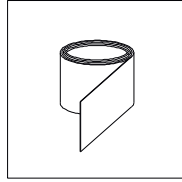
19. Top cover strip
2x sealing rubber



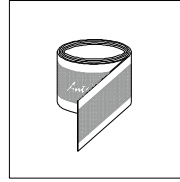
20. Sheet stopper



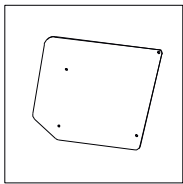
13. Polycarbonate Sheet 980 mm



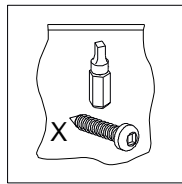
14. Anti-dust tape (Non-perforated)



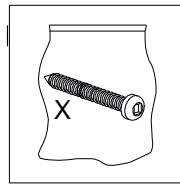
15. Anti-dust tape (Perforated)



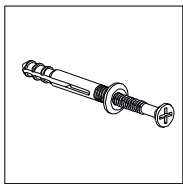
23. Trim cover gutter profile



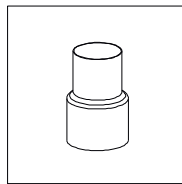
1x bag of screws short 4.2x16 + bit



1x bag of screws long 4.2x40

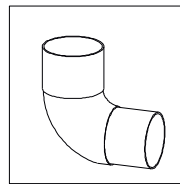


1x set frame fixing screws

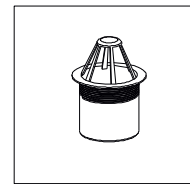


08. Rainwater discharge sleeve

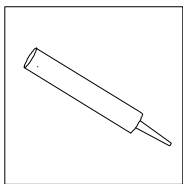
or



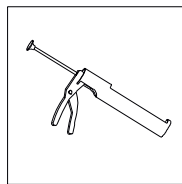
08A. 90° rainwater discharge sleeve (option)



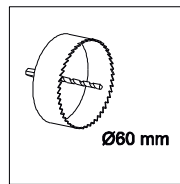
04. Leaf catcher



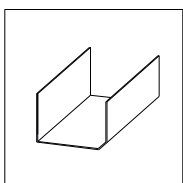
1x coloured caulk



1x caulking gun



1x hole saw 60 mm



03. Gutter connector (Option)

5. Preparation for assembly

5.1 Conditions for assembly

- **Note:** The optimal processing temperature for the caulk is +5 °C to +40 °C.

Ground & façade

- A good flat stable surface is required for construction of the patio roof.
- The location where the roof will be placed must be construction-ready and free of obstacles (garden furniture, flower boxes, etc.) so installers can perform their work without hindrance.
- Any obstacles, including utility lines (such as power cables, etc.), roots and debris, must have been removed from the ground.
- The façade must be free of sun shades, etc.
- The place where the wall profile will be placed must be firm, even and flat.

Dimensions & slope

- A Verandas UK roof should be installed with a slope of 12 cm per metre. The height of the wall profile and the passage height (distance from bottom of gutter to the ground) are completely dependent on each other and determined by this slope.
- The maximum length of the roof is 6 metres. However, keep in mind the requirements concerning the maximum free span and number of posts (see page 14).

Posts & joined patio roofs

- Maximum distance between the posts is 6 metres (see page 14).
- When patio roofs are joined, a post is always placed under the coupling.
- The rainwater discharge cannot be placed inside a post above which gutters are joined.

Attachments at walls

- Due to expansion of the materials, the patio roof may not be placed tightly between two walls; there must be a gap of 1.5 mm per metre of width of the patio roof.
- When foundation blocks are used the posts cannot be placed against the wall, because the block is wider than the post.

Screws and drilling

- Verandas UK supplies special 4.2x19 mm and 4.2x40 mm stainless steel screws with the patio roof.

Note: Pre-drill a hole for each screw with a 3 mm drill bit!



If you continue to turn them after they are tight, the screw head may break off. It is recommended that you screw carefully, with the torque limiter on your drill set properly.

- **Note: Never** drill and screw through the PVC rainwater discharge pipe in one of the posts.

5.1 Conditions for assembly (continued)

Caulk

- Verandas UK supplies caulk in the colours cream and graphite grey. This supplied caulk has been specially selected for the waterproof sealing of aluminium to aluminium or to most common construction materials, such as walls, concrete, etc. Follow the instructions on the tube.



Note: This caulk is not suitable for sealing the polycarbonate sheets. If you need to seal your sheets, because you have a rainwater discharge (downspout) pipe run through it for example, we have special transparent caulk in our range. This caulk is available from retailers.

Rubber seals

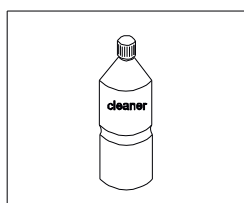
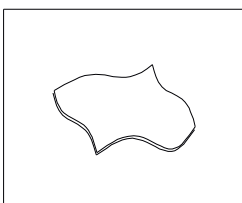
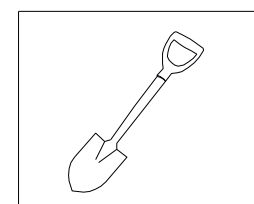
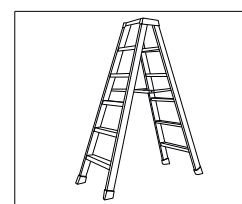
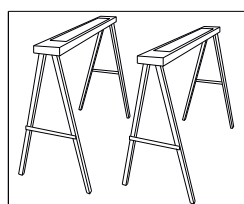
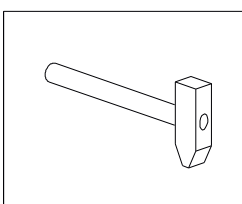
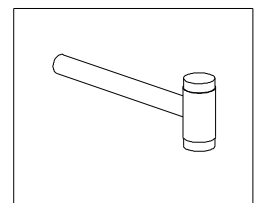
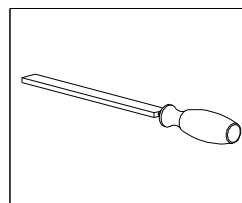
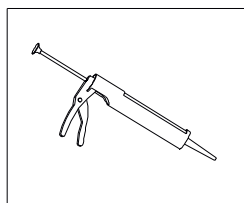
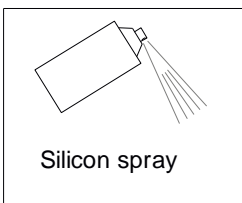
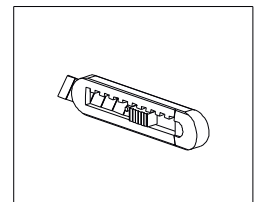
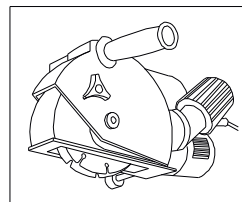
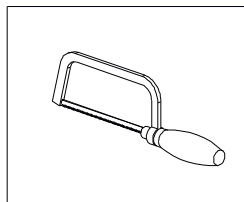
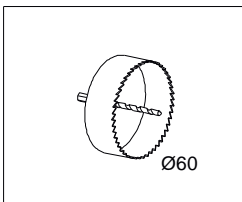
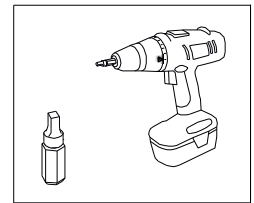
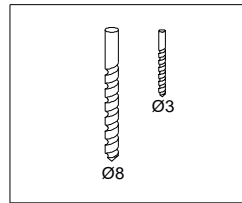
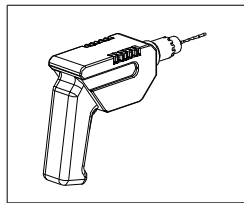
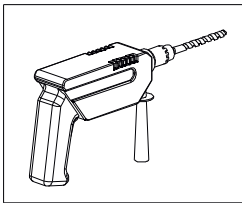
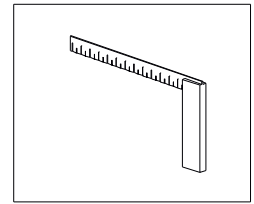
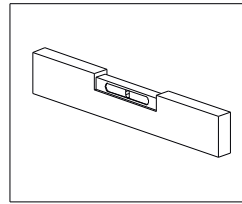
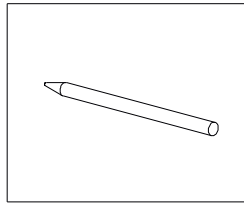
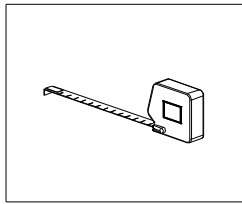
- A Verandas UK patio roof is standard equipped with pre-assembled, colour-matched rubber seals. Before installation, the rubber seals for both the aluminium cover strips and the rafters must be cut to length.
- If the rubber seals are deformed, they can be straightened again with a little heat, from a hot air heater or hair dryer for example.

Remove protective film

- It is recommended that the protective film be removed from the aluminium parts and the roofing sheets at the last possible moment, to prevent damage. When mounting the roofing sheets, however, the edges of the protective film must be pulled back a few centimetres towards the middle of the sheet so the film does not get stuck in the profiles; otherwise it will be difficult to remove later.

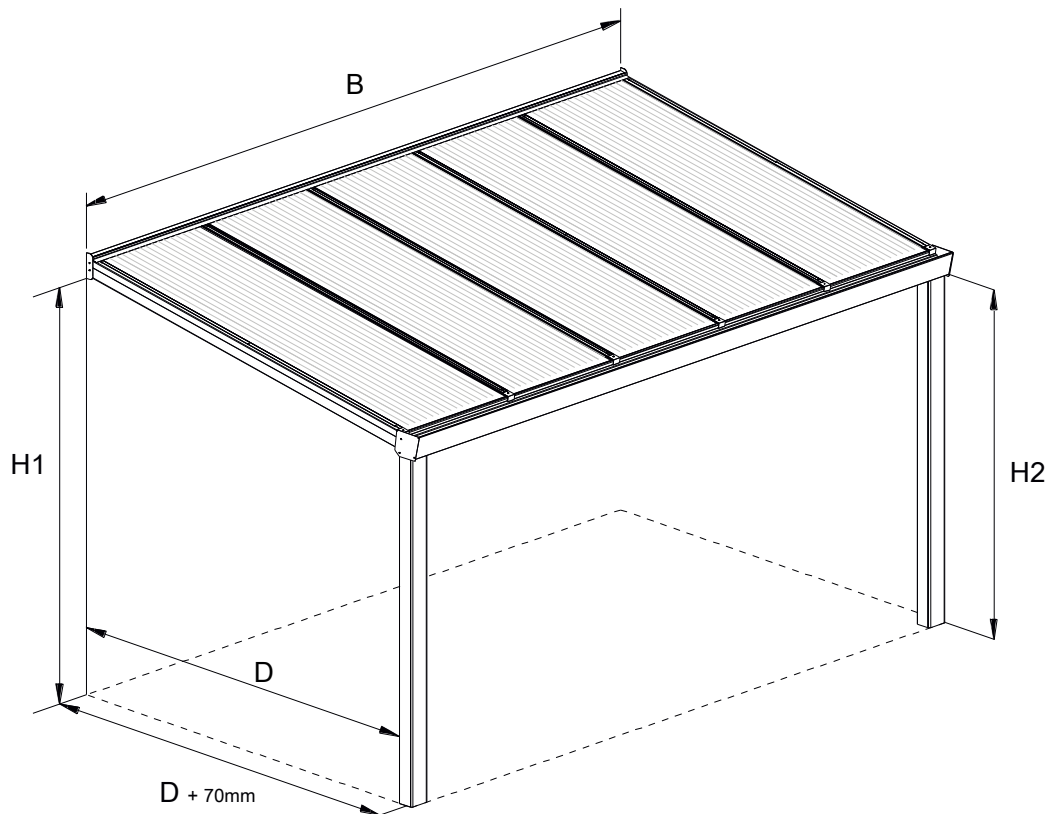
Warranty is void if the Giallo patio roof is not assembled and installed in accordance with the instructions.

5.2 Inspection of tools and accessories

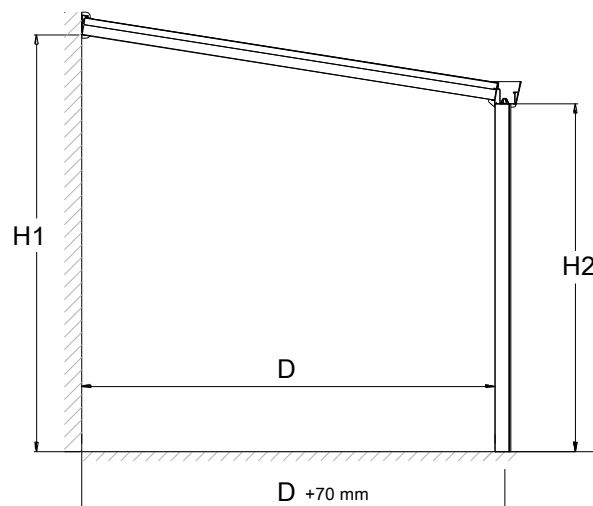


5.3 Measuring & determining dimensions

The Verandas UK patio roof is available in a large range of sizes. Moreover, the roof has a modular design and can be quickly and easily made to size. However, please note that our current and future modular options are based on standard sizes. If you do not install your roof using the standard sizes, your options will also have to be adapted to size.



- W: Length of wall profile, gutter profile and decorative profile.
- H1: Height from ground to bottom of wall profile.
- H2: Height from ground to bottom of gutter profile (= passage height).
- L: Distance from back of wall profile to inside of post (= length).
- L + 70 mm: Distance from back of wall profile to centre of rainwater discharge pipe.



5.3.1 Height adjustments

A Verandas UK patio roof is designed for a slope of 12 cm per metre. All the static strength calculations, as well as all sizes and dimensions in this manual, are based on this.

The height of the wall profile and the passage height (distance from bottom of gutter to the ground) are completely dependent on each other and determined by this slope.

However, these heights can be adjusted very easily while maintaining the slope.

If you are going to install your patio roof based on the standard dimensions, you can use the dimension table below.

Horizontal roof length (L)	Height to bottom of gutter profile (H2)	Height to bottom of wall profile (H1)
250 cm	250 cm	280 cm
300 cm	250 cm	286 cm
350 cm	250 cm	292 cm
400 cm	250 cm	298 cm

If you choose to place the wall profile lower or make the passage height of the gutter lower, you must:

Subtract the same number of centimetres from both of these measurements. So if your wall profile is mounted 30 cm lower, you must also shorten your posts by 30 cm.

If you want to reduce the passage height, you can easily shorten the length of the posts by making a square cut. However, you must then also mount the wall profile the same distance lower on the wall. The same applies if you decide to mount the wall profile lower on the wall.

Calculation example 1: You have a roof with a length of 300 cm and you want to reduce the standard passage height from 250 cm to 220 cm. You therefore shorten your posts by 30 cm or you place the posts 30 cm in the ground, so the bottom of your gutter is at a height of 220 cm. Your wall profile must therefore be lowered by 30 cm, which means that the bottom of the wall profile must be placed at 286 cm - 30 cm = 256 cm.

Calculation example 2: You have a roof with a length of 400 cm and you want to place the standard wall profile 25 cm lower on the wall, at 273 cm instead of 298 cm. You must therefore also place the bottom of the gutter profile 25 cm lower, which means that you either have to cut 25 cm off your posts, reducing their length to 225 cm (250 cm - 25 cm) or you have to place your posts 25 cm in the ground.

5.3.2 Roof length

The total length of a Verandas UK patio roof is measured from the back of the wall profile to the inside of the post.

5.3.3 Number of posts

The number of posts of a Verandas UK roof Type Giallo depends on the width and the length of the roof. An overview is provided in the table below.

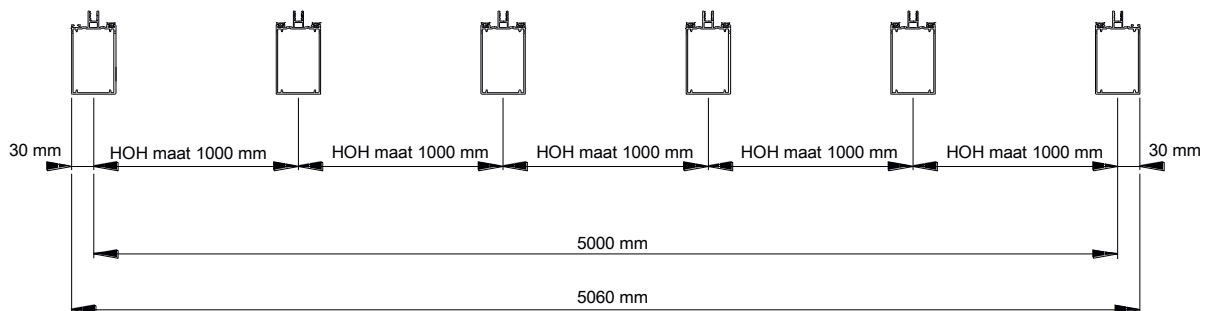
Roof width (W)	Roof length (L)	Number of posts
4060 mm	2500 mm	2
4060 mm	3000 mm	2
4060 mm	3500 mm	2
4060 mm	4000 mm	2
5060 mm	2500 mm	2
5060 mm	3000 mm	2
5060 mm	3500 mm	2
5060 mm	4000 mm	3
6060 mm	2500 mm	2
6060 mm	3000 mm	2
6060 mm	3500 mm	3
6060 mm	4000 mm	3

5.4 Joining patio roofs

There is no limit to the width in which the Verandas UK patio roofs can be delivered. This is because the patio roofs can be joined end to end.

In this case the gutter profile, wall profile and decorative profile are supplied in multiple lengths of 4060, 5060 or 6060 mm.

The centre-to-centre distance between the rafters of a Verandas UK patio roof is 1000 mm (1 metre). A roof with five one-metre sections has a total width of 5060 mm. The extra 60 mm is the distance from the centre of the rafter to the outside of the rafter, which is 30 mm; this extra width is at both ends, for a total of 60 mm.

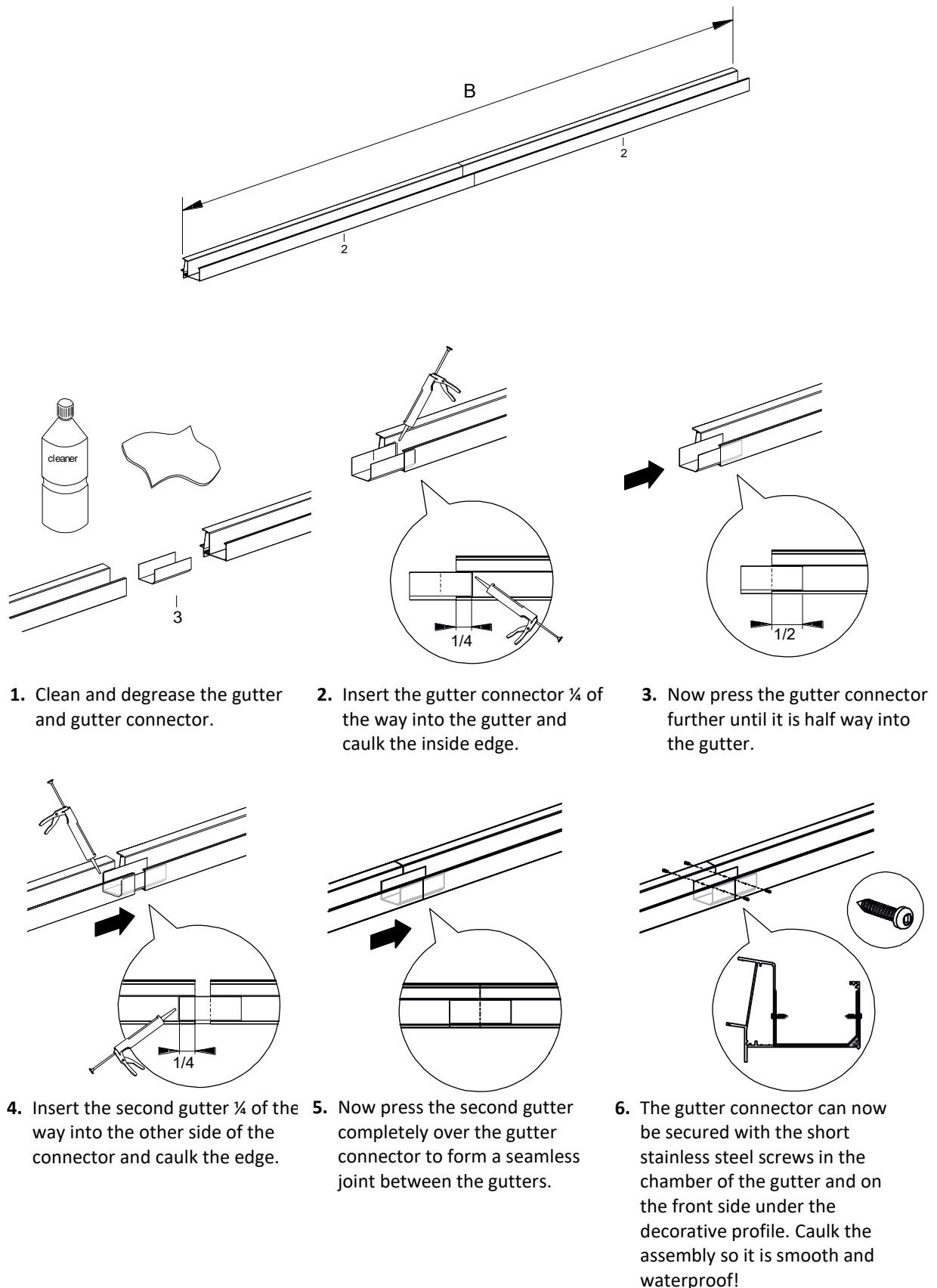


When standard size sheets are used, the total width of joined roofs must therefore also end with 60 mm, e.g. 8060, 9060, 10060, etc.

So if you have ordered a roof with a width of 9060 mm, the delivery will consist of one 5060 mm gutter section and one 4060 mm gutter section. Together this is 9120 mm. You must ensure that the width ends with xx60, so these profiles must be shortened by a total of 60 mm before installation. This can be done by removing 30 mm from both sections: 5030 mm + 4030 mm = 9060 mm. You can also choose to shorten one profile by 60 mm. 5060 mm + 4000 mm = 9060 mm. This shortening applies to the wall profile, gutter profile and decorative profile. After this shortening the further assembly is identical to that for a normal roof.

5.4 Joining patio roofs (continued)

It is recommended that you join the gutter sections with the supplied gutter connector before installation. The installation steps are shown below:

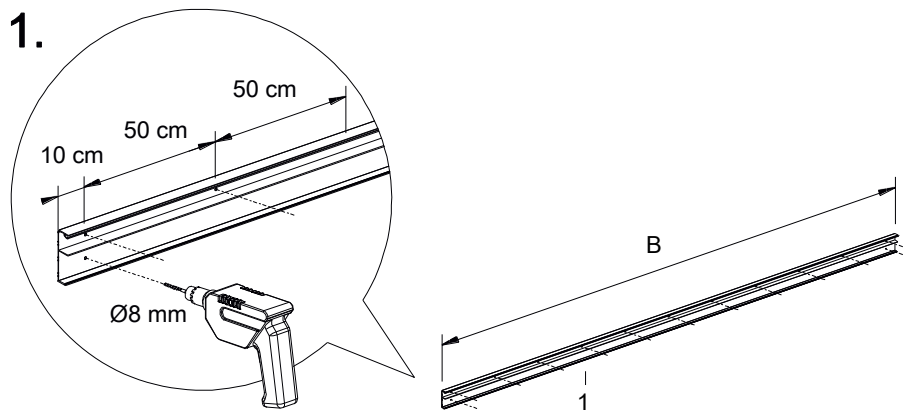


6. Assembly

6.1 Mounting the wall profile

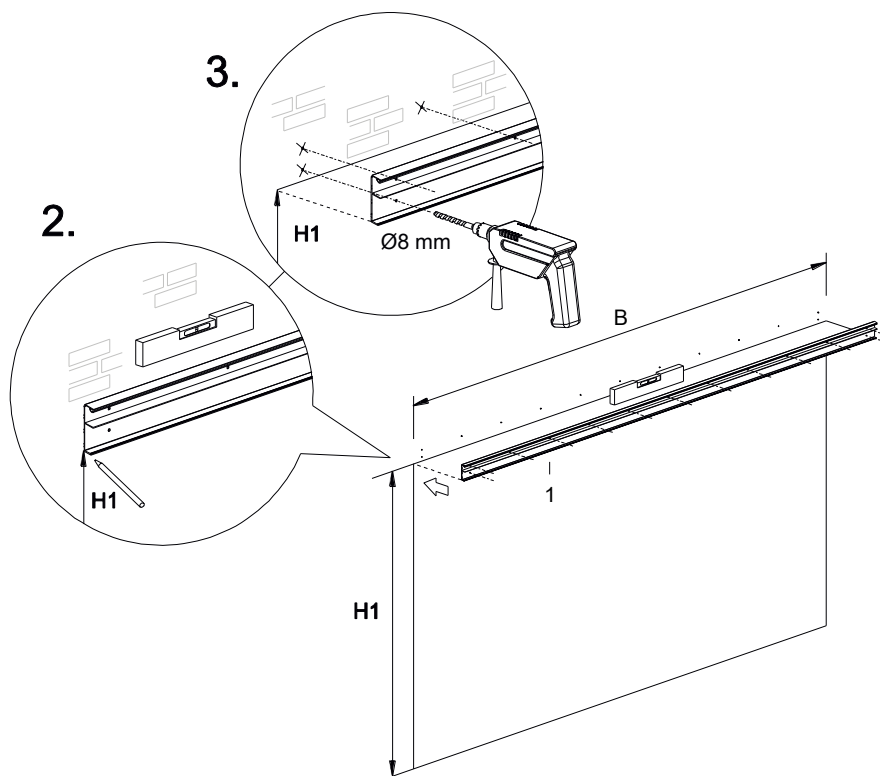
If the wall profile does not need to be shortened, you can mount it straight away. Otherwise you must first cut the wall profile to the desired length. Do not place the supplied rubber strip in the wall profile yet; this rubber strip is fit in place after mounting.

1. Drill holes in the wall profile at 50 cm intervals. Begin approximately 10 cm from one end and finish approximately 10 cm from the other end. Use a metal drill bit with a diameter of 8 mm.

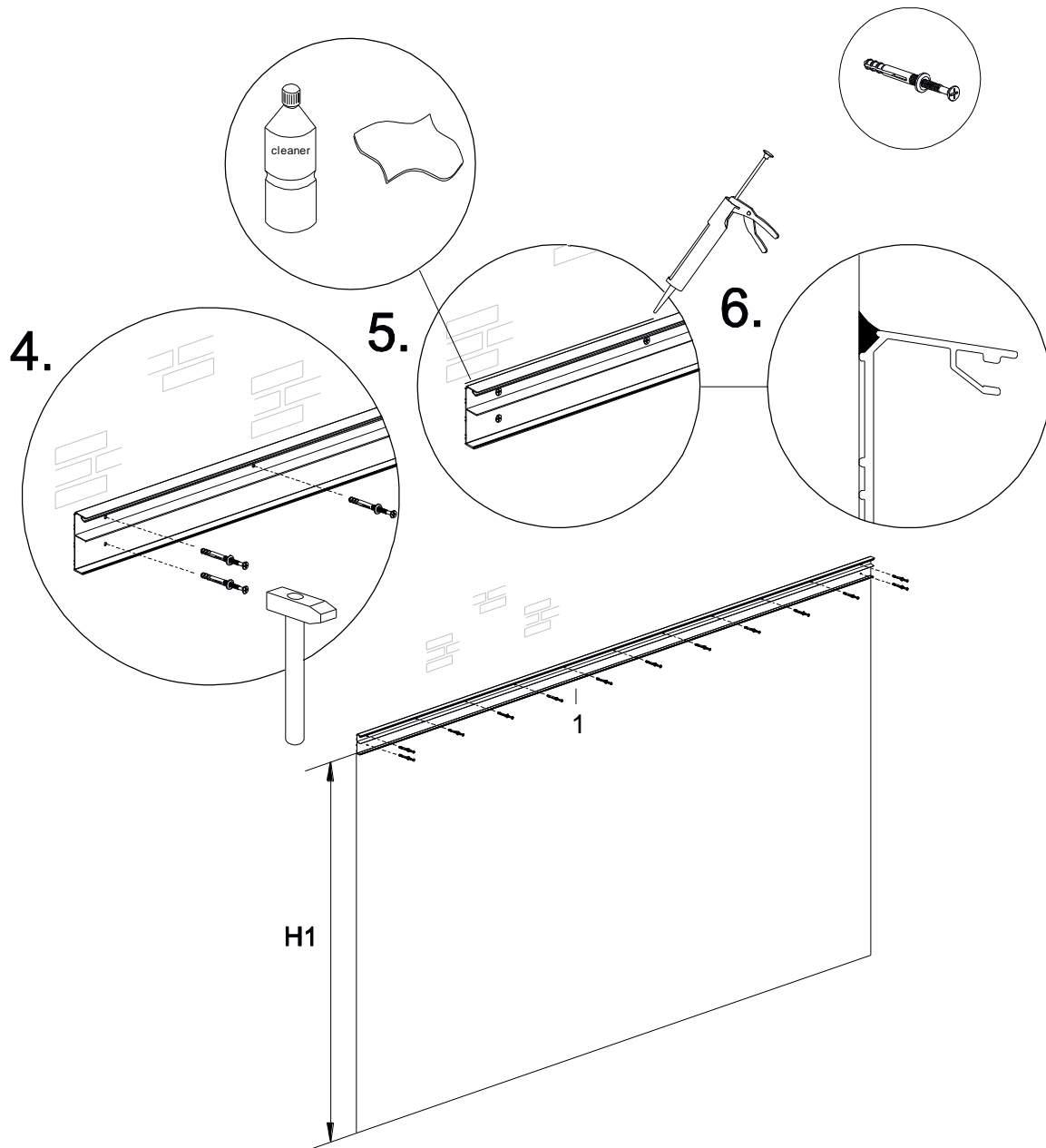


2. Now mark the wall with a line to indicate where the bottom of the wall profile should be. Place the wall profile on the line and then mark the holes that you pre-drilled in your wall profile.

3. Now use a concrete drill bit with a diameter of 8 mm to drill the holes. Make sure the wall profile is level.



4. Fasten the wall profile with the supplied frame fixing screws (these should only be used if appropriate for the wall material).
5. Degrease the top edge of the wall profile along the wall.
6. Caulk the top edge of the wall profile (between the wall and the wall profile) to make a good seal. Strike off the caulk to make it smooth and waterproof.

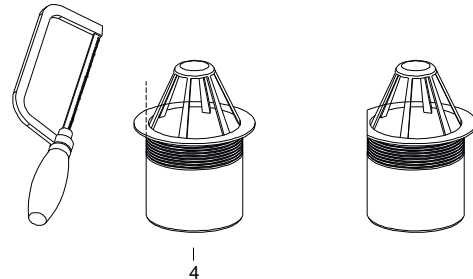


6.2 Pre-installing the gutter

If the standard gutter length is correct, you can pre-install it straight away. If not, you must first cut the gutter profile and decorative profile to the desired length.

6.2.1 Installing the leaf catcher in the gutter

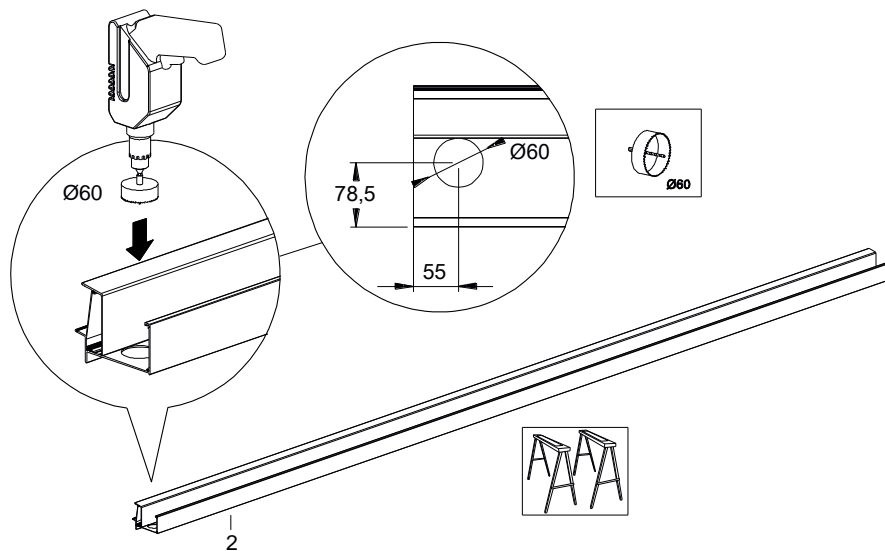
1. Cut/saw off one end of the leaf catcher so it fits in the gutter profile.



2. Place the gutter flat and firm on a table or sawhorses.

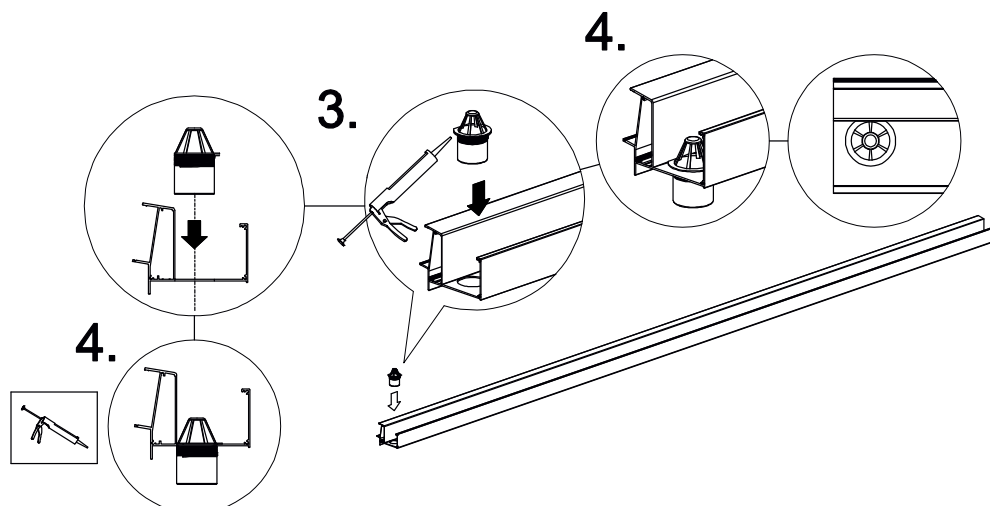
Determine where the rainwater discharge post (and leaf catcher) will be placed, i.e. at the left or right end of the gutter. Mark the position of the hole for the leaf catcher in the gutter.

Now carefully drill the hole in the gutter with the $\varnothing 60$ mm hole saw.



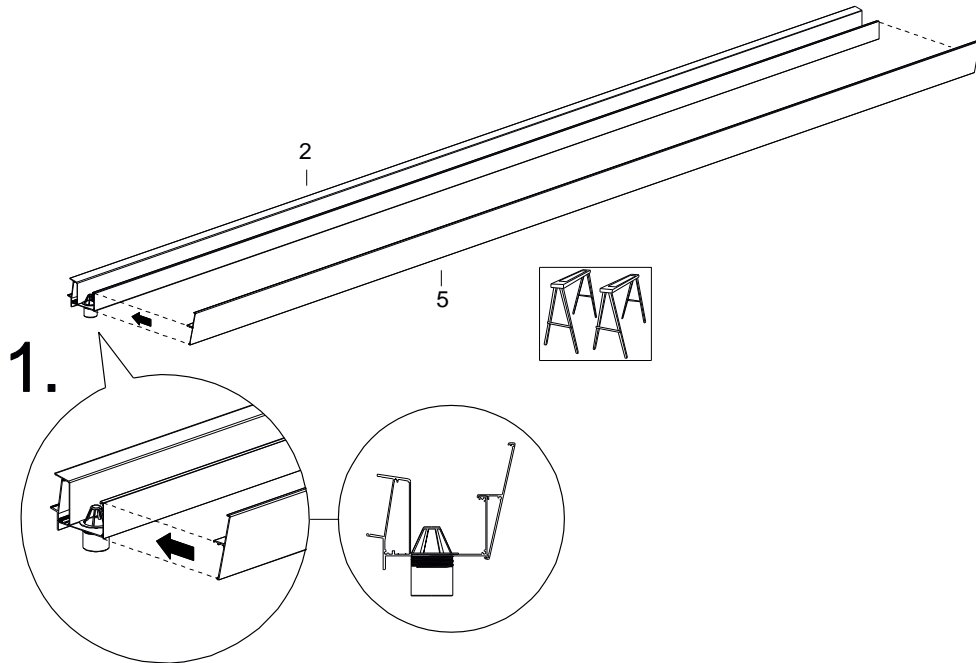
3. Apply caulk to the underside of the leaf catcher.

4. Place the leaf catcher in the hole in the gutter (with the cut side towards the side of the gutter profile with the open chambers). Caulk to form a waterproof seal around the leaf catcher.

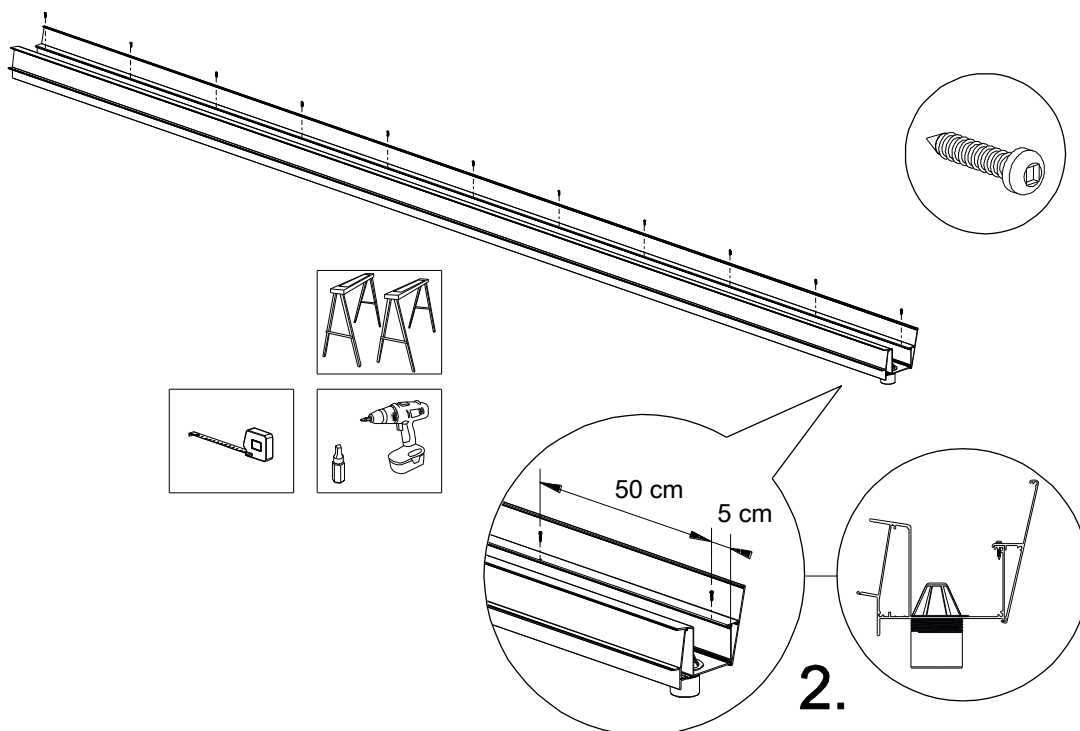


6.2.2 Attaching the decorative profile to the gutter

1. Place the gutter flat and firm on a table or sawhorses. Place the decorative profile on the top of the gutter.



2. Secure the decorative profile with the supplied short 19 mm stainless steel screws. Begin approximately 5 cm from the end and place a screw approximately every 50 cm. The last screw should be placed approximately 5 cm from the end.



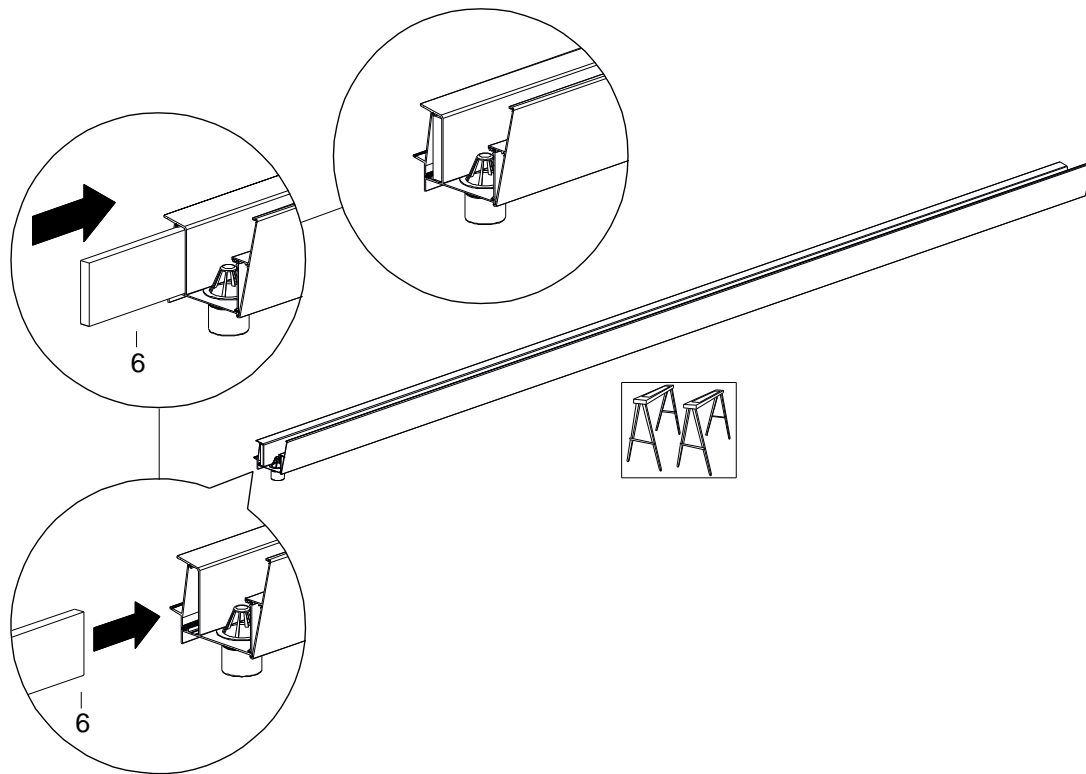
6.2.3 Installing the steel strip in the gutter

The gutter is fitted with a 20x100 mm steel strip to hold the glass.

1. Place the gutter flat and firm on a table or sawhorses.

2. Slide the steel strip into the gutter. Use a lubricant.

Tip: the steel strip can be 'ratcheted' in place with a lashing strap.



6.3 Installing posts, gutter and end rafters

6.3.1 Installing posts

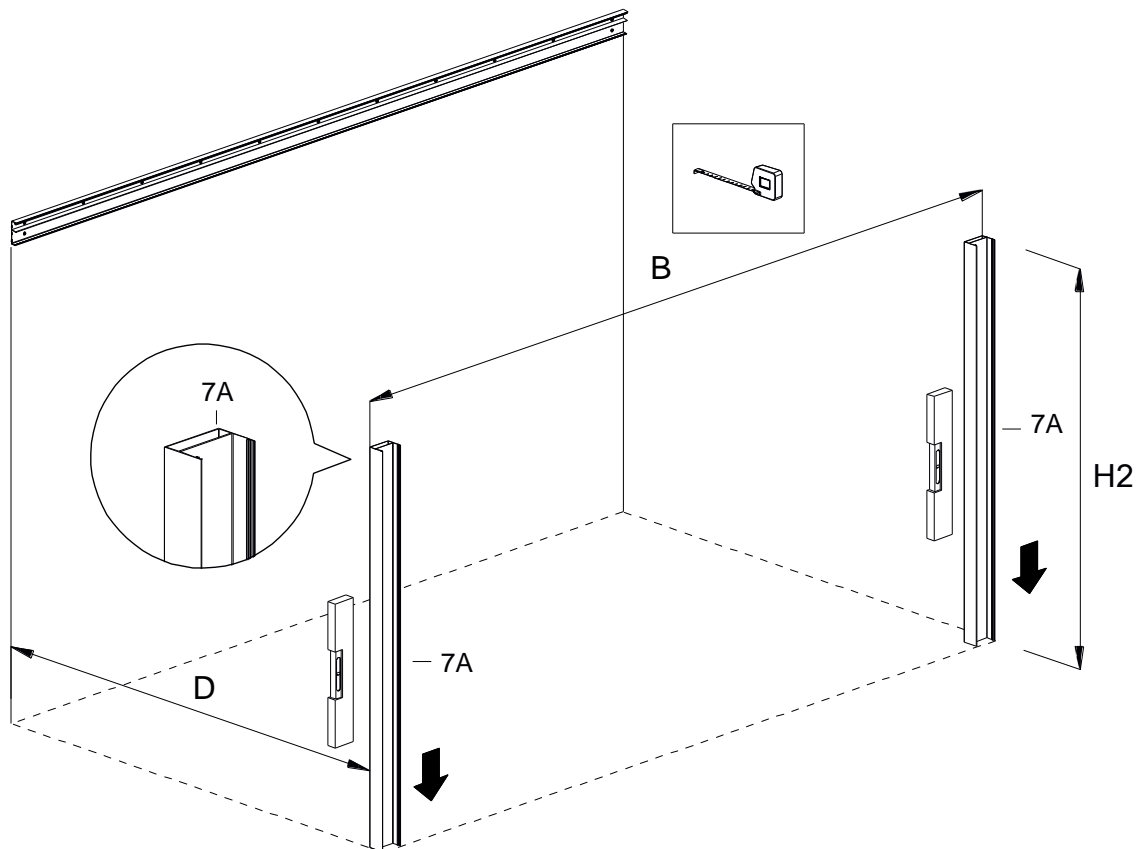
NOTE: It is up to you to cast or screw the posts (U-profiles) in place.

NOTE: If you shorten any of the posts, take into account the depth of the post in the concrete floor.

1. Determine the positions of the posts. And determine which post will have the rainwater discharge pipe.

NOTE: The U-profile is placed with the closed side against the wall.

2. Place the posts as accurately as possible on or in the ground. Place them plumb. Make sure that the posts are positioned perfectly square.



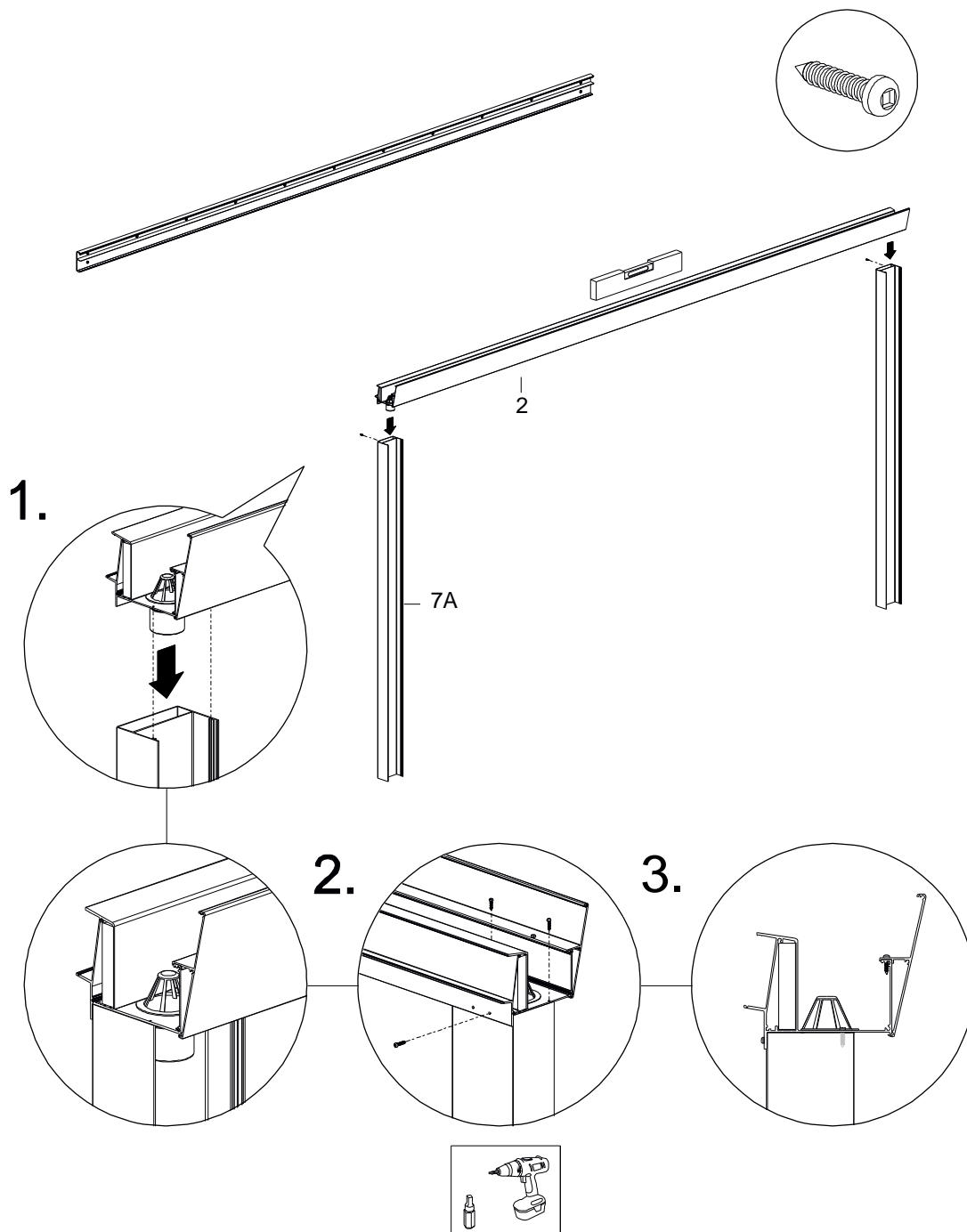
6.3.2 Installing the gutter

1. Now place the pre-assembled gutter profile level on the posts. Make sure the leaf catcher falls in the U-profile.

2. Screw the posts to the gutter with one short screw through the lower lip of the gutter profile and into the post. This way you can adjust the position of the gutter later, if necessary.

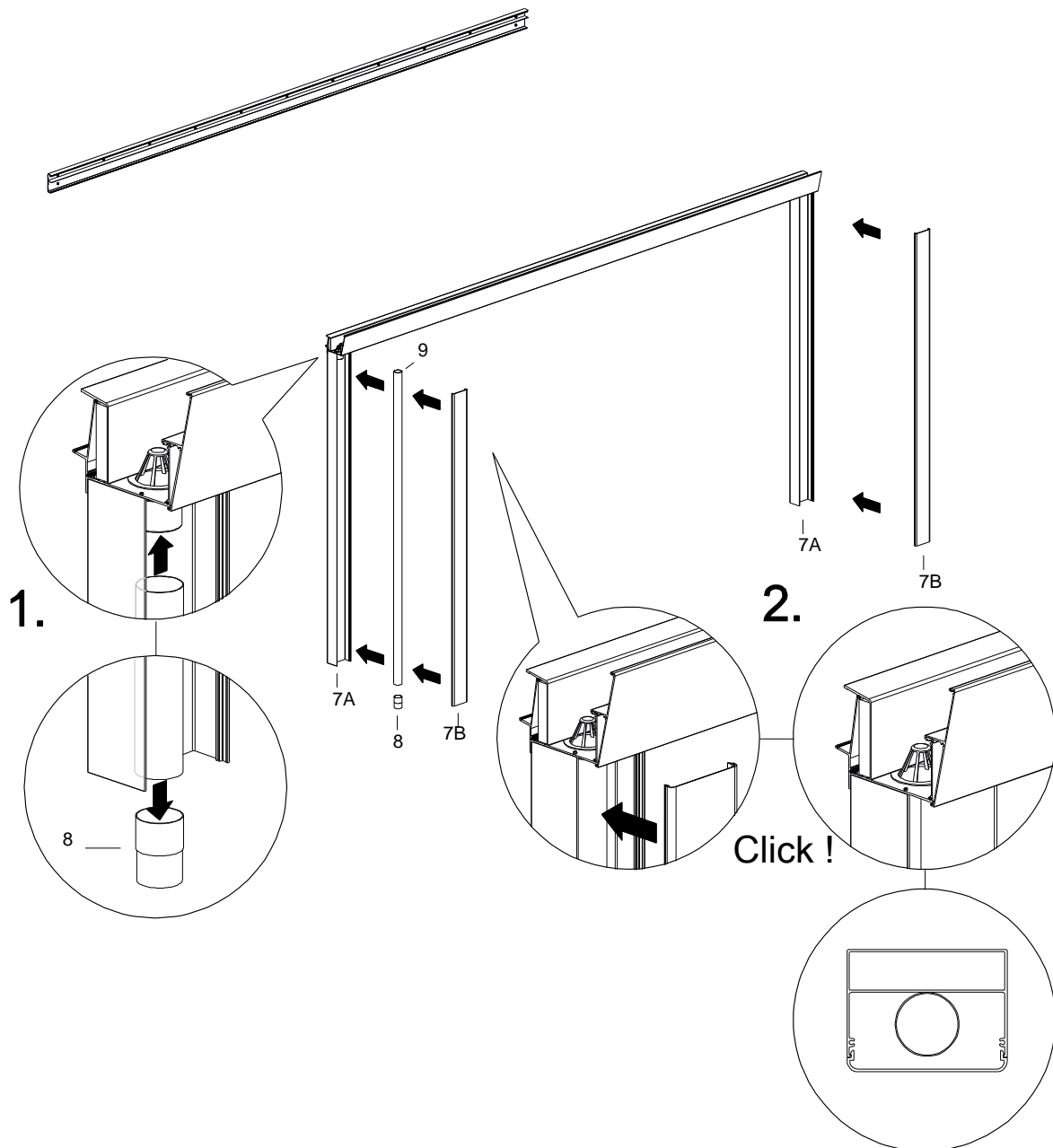
Note: ultimately the posts will be secured with two screws. The first screw should not be placed in the middle of the post but rather approximately a third of the way in from the edge. Be careful not to drill and screw through the PVC pipe in one of the posts!

3. Place two screws through the gutter, down into the screw channels of the posts. This pulls the gutter tight against the posts.



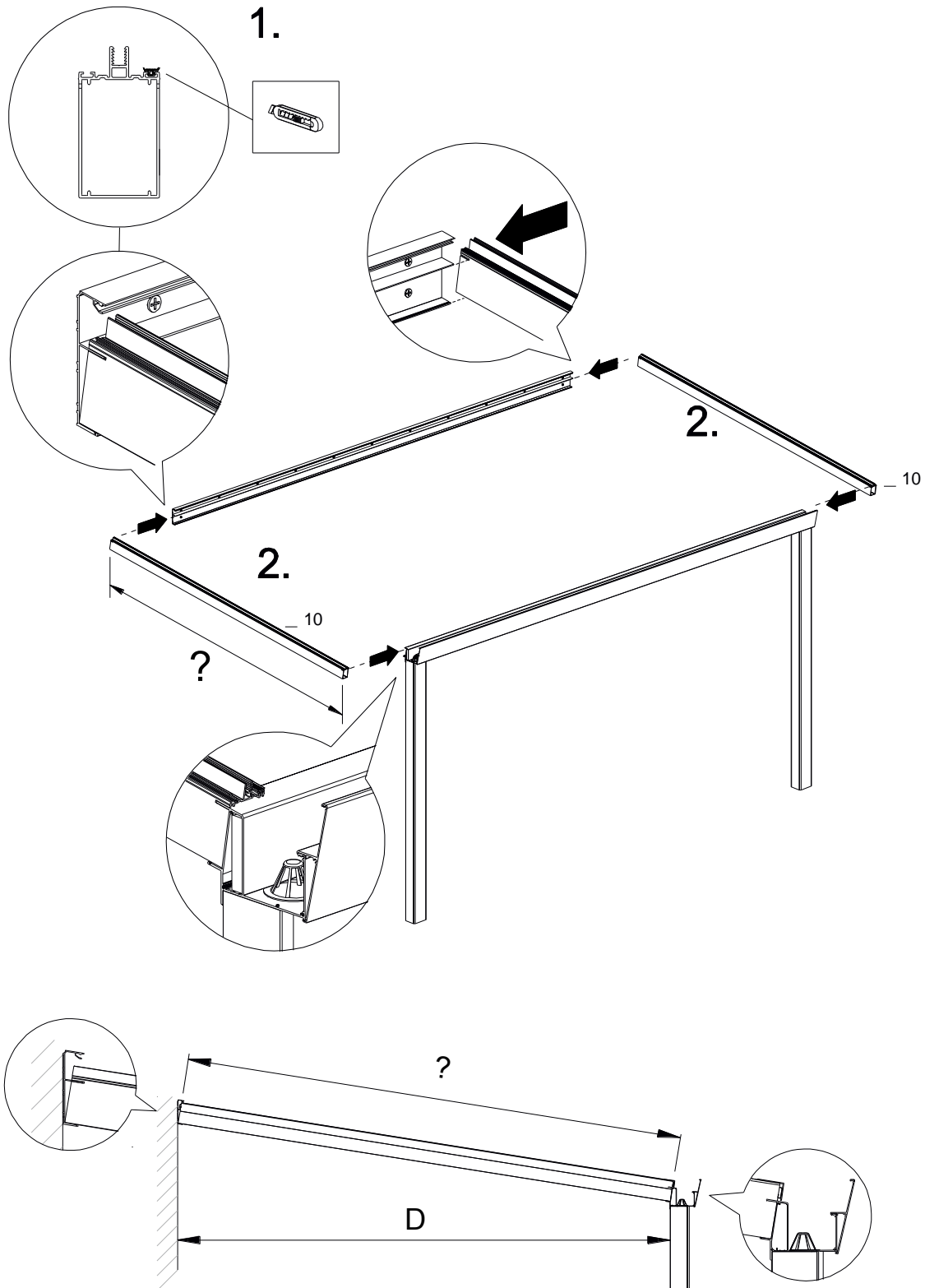
6.3.3 Finishing the posts

1. Place the rainwater discharge pipe (60 mm) in the U-profile (the post) where it should be located. Make sure the leaf catcher is positioned properly in the PVC rainwater discharge pipe. Connect the rainwater discharge sleeve to the drain, and connect the rainwater discharge pipe to the sleeve. Make sure the connections are good.
2. Click the click-on strip onto the front of the U-profile. The post is now finished.



6.3.4 Installing the end rafters

1. Carefully cut the pre-fitted rubber seals in the end rafters to size.
2. Place the left and right end rafters in both the gutter profile and the wall profile, one by one. Make sure that the outer edges of the end rafters are flush with the ends of the gutter profile and wall profile.

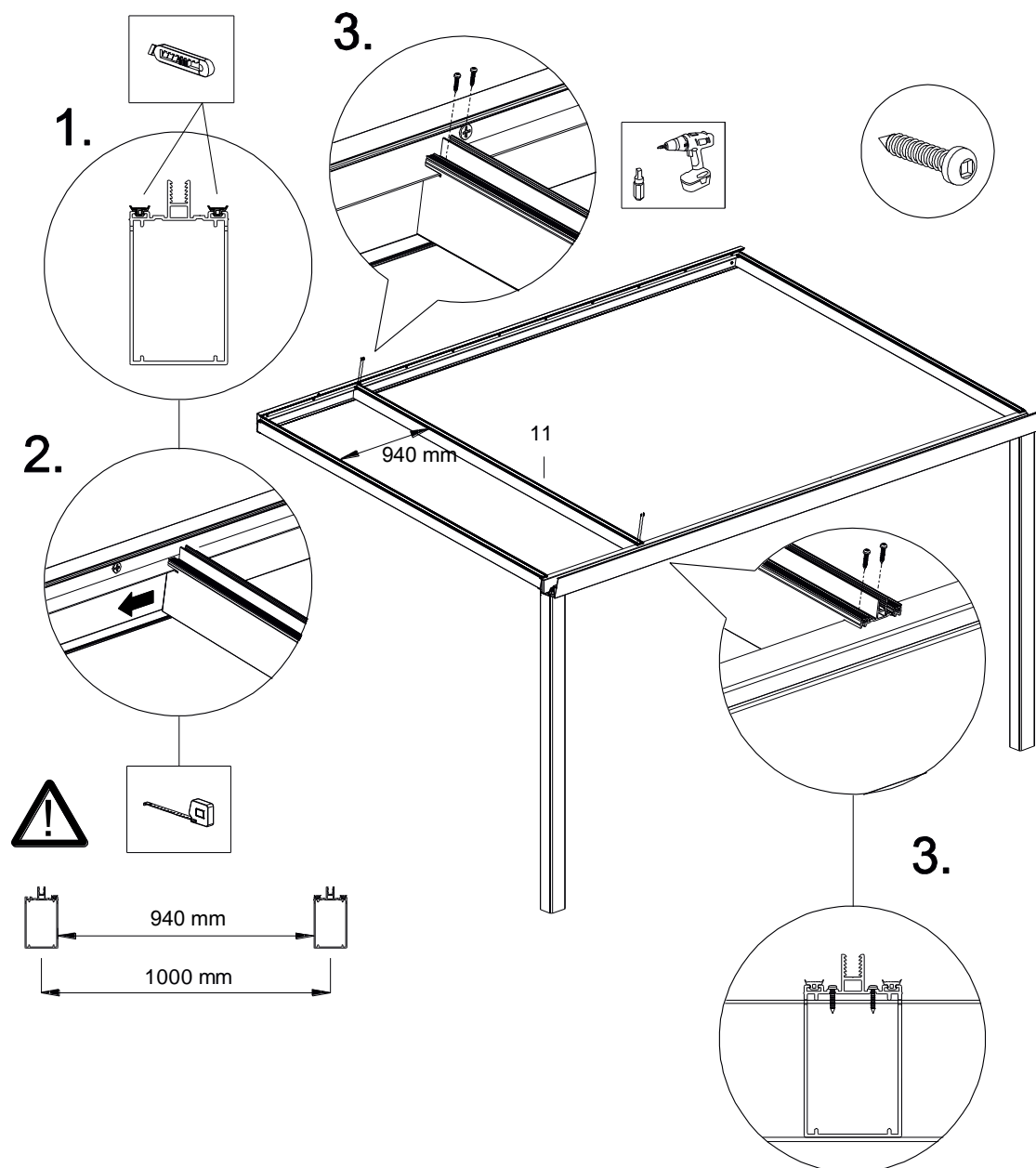


6.4 Installing the middle rafters

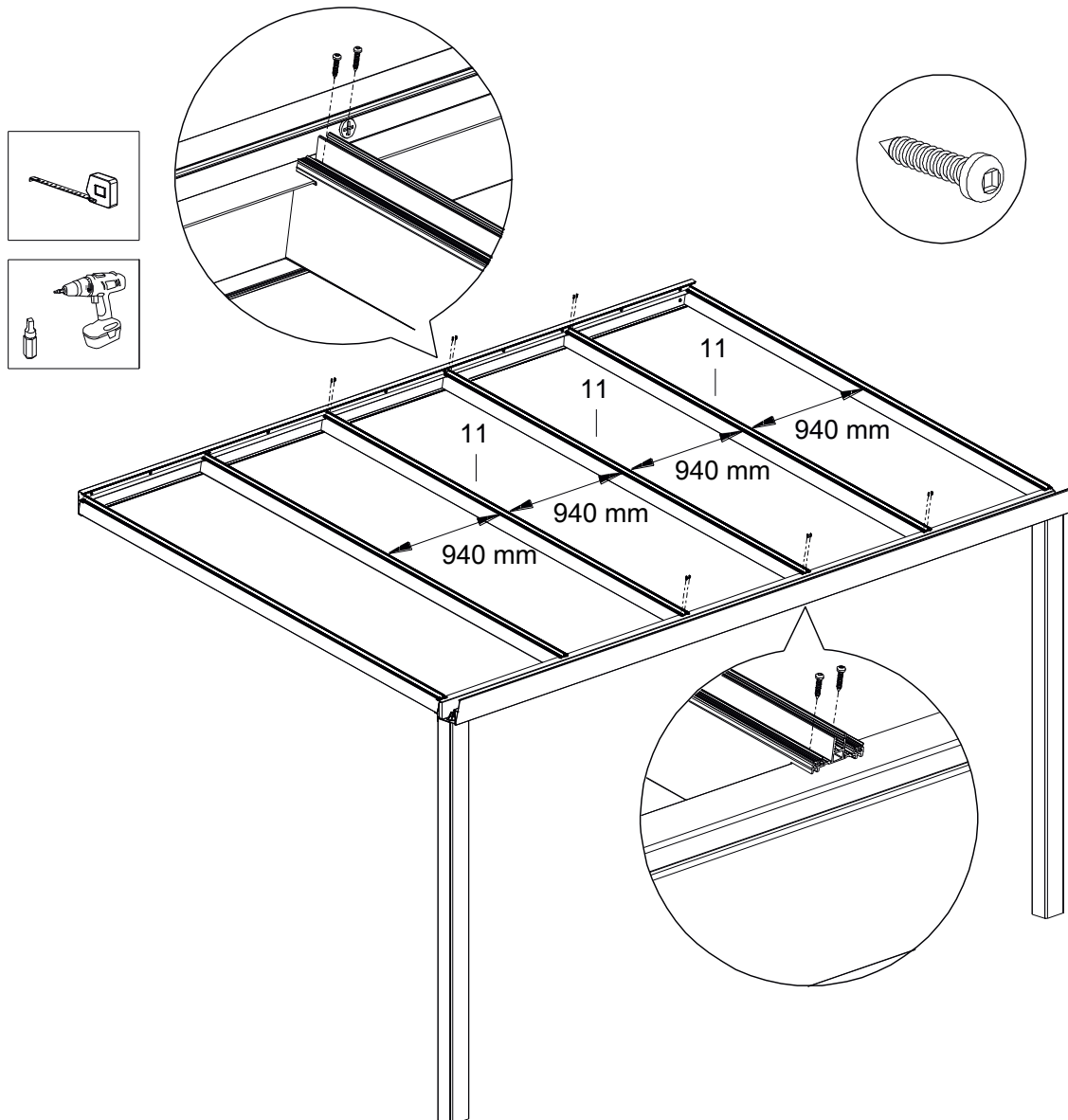
Note: if you install Verandas UK LED lighting, we recommend performing the installation before placing the middle rafters.

If you do not shorten the width of your patio roof, you can use the trim elements for the gutter as spacers between the rafters. The standard element width is 98 cm, so the middle rafters will be spaced exactly 100 cm centre to centre.

1. Carefully cut the pre-fitted rubber seals in the middle rafters to size.
2. Place the first middle rafter in the wall profile and gutter profile at the desired distance.
3. Screw the middle rafter to both the gutter profile and wall profile with 2 short screws.

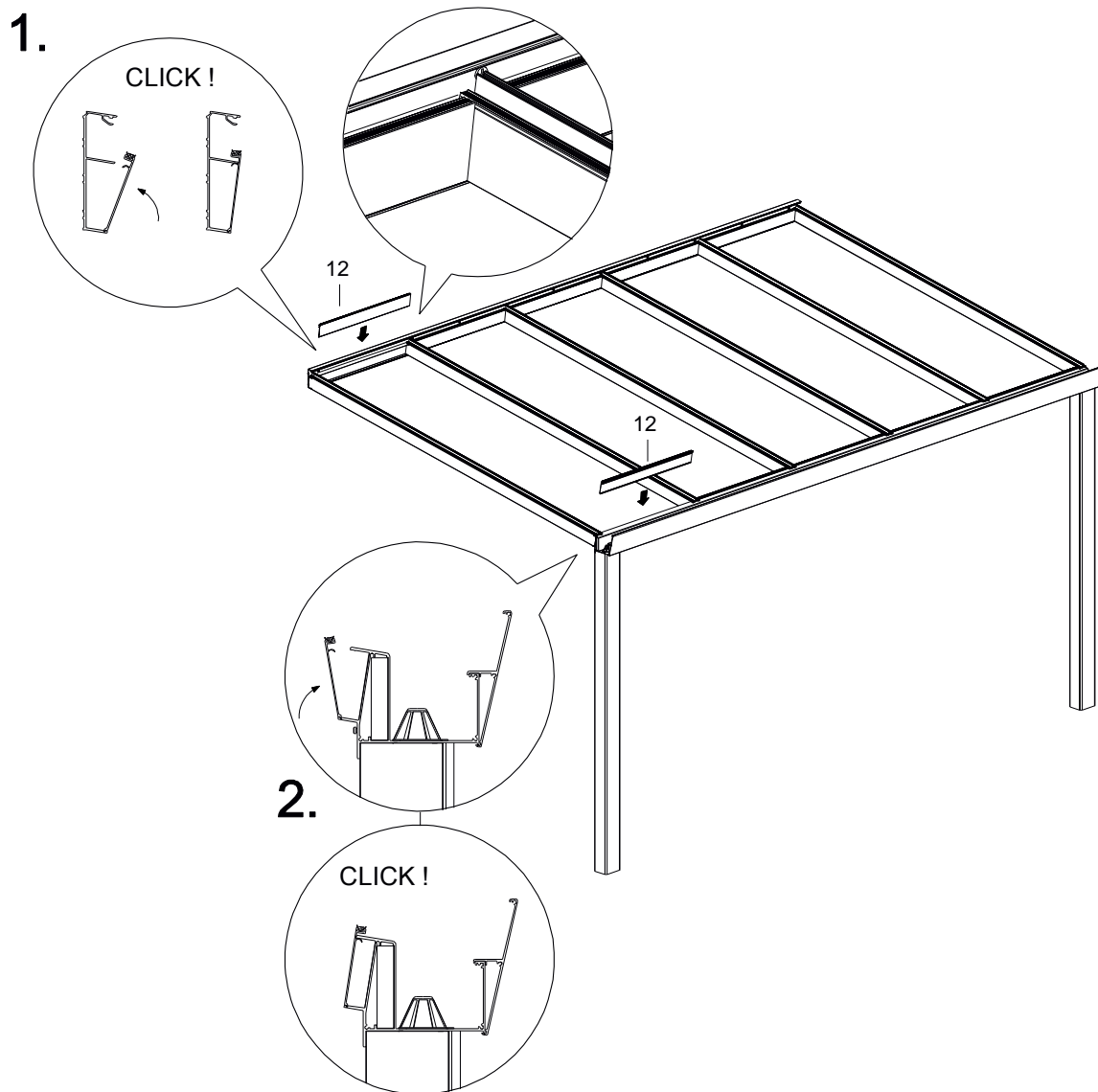


4. Then place the remaining middle rafters in the wall profile and gutter profile at the desired distance.
5. Screw the middle rafters to both the gutter profile and wall profile with two short screws.



Note: if Verandas UK LED lighting is installed, make sure all the cabling is properly positioned and connected before the inside trim covers are fitted. We recommend placing the transformer behind a trim click strip so it will be easily accessible for future service.

1. Place the inside trim covers on the wall profile.
2. Place the inside trim covers on the gutter profile.



6.5 Preparing and installing the roofing sheets

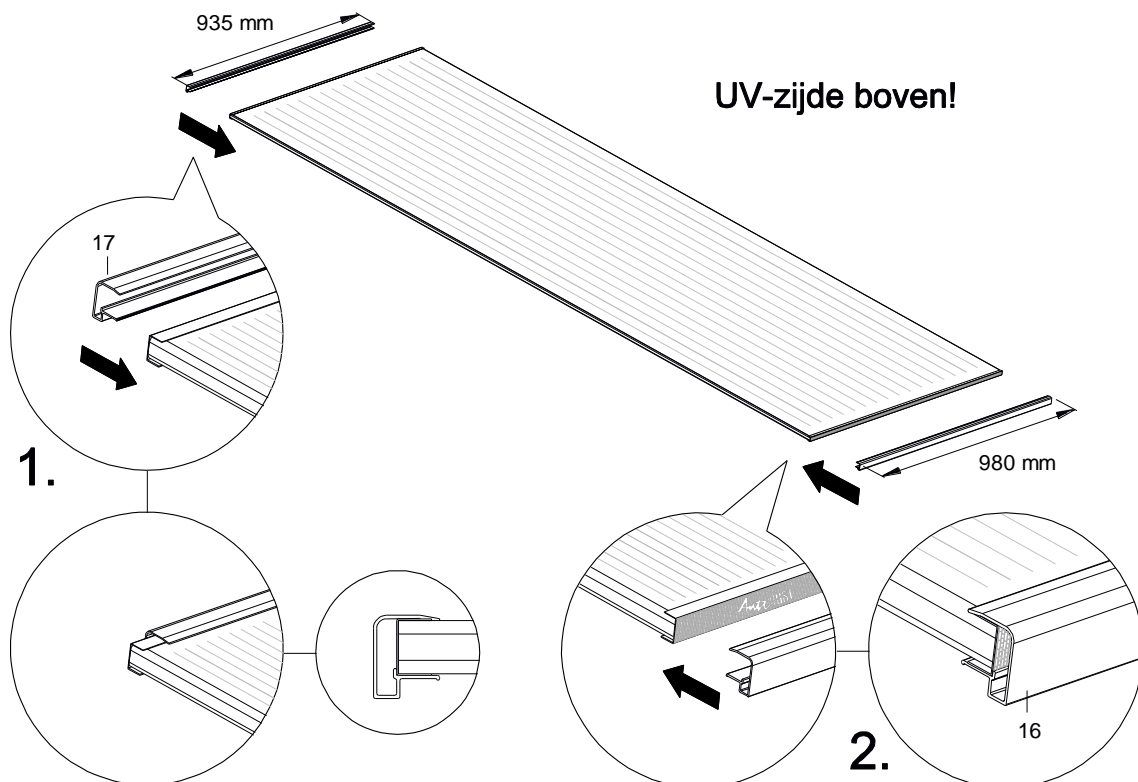
If you want to trim the width of the sheets, we recommend trimming off full 'chambers' whenever possible so the edges remain sealed.

The roofing sheets have a top and a bottom. The UV side must face up. This is indicated with a protective film on the sheets. Always place the correct side up.

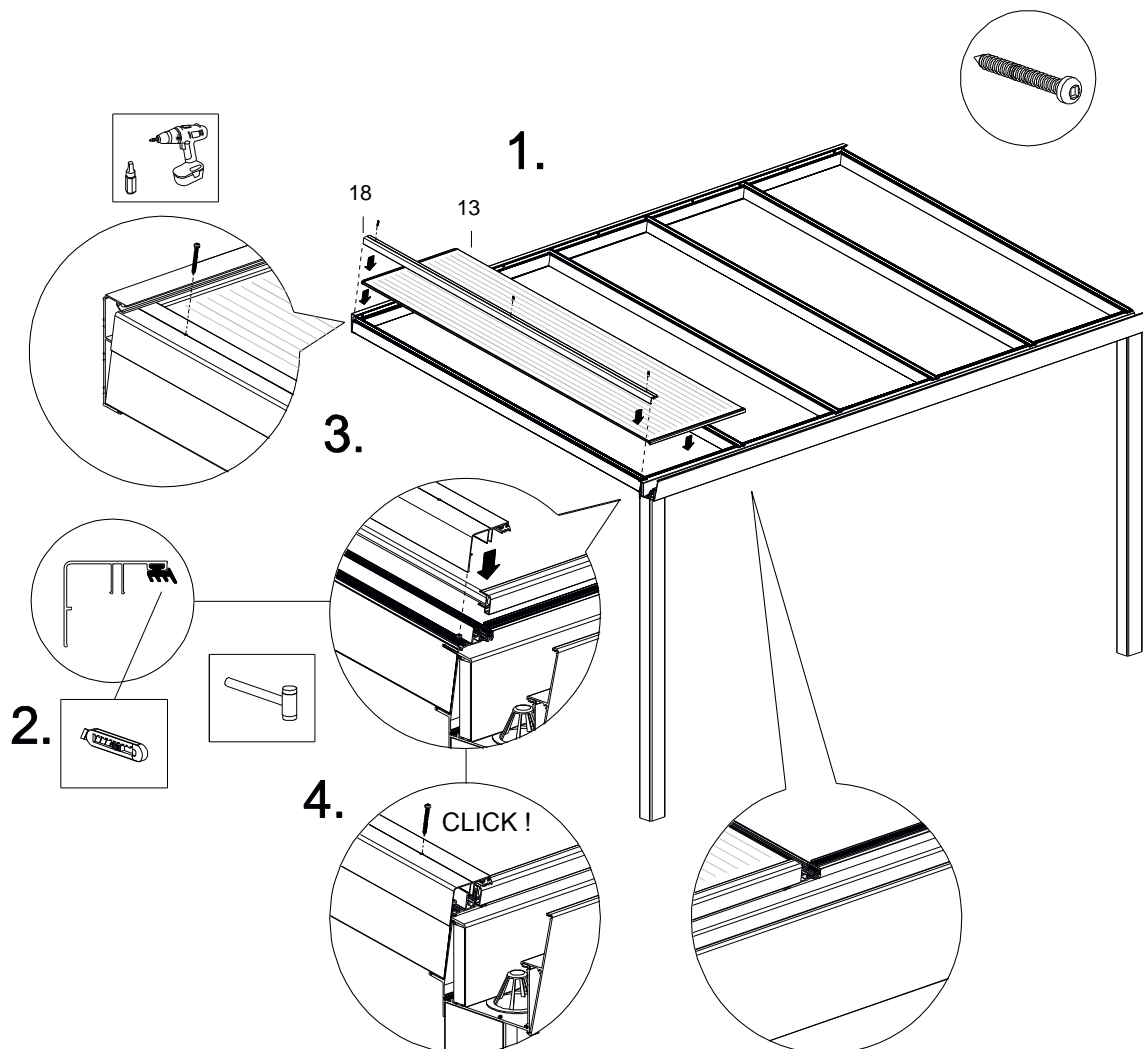
1. Place the short condensation profiles (935 mm) at the wall end of the roofing sheets, where the non-perforated anti-dust tape is located. Note: The tab of the profile must be on the bottom of the sheet.

2. Place the long condensation profiles (980 mm) at the gutter end of the roofing sheets, where the perforated anti-dust tape is located.

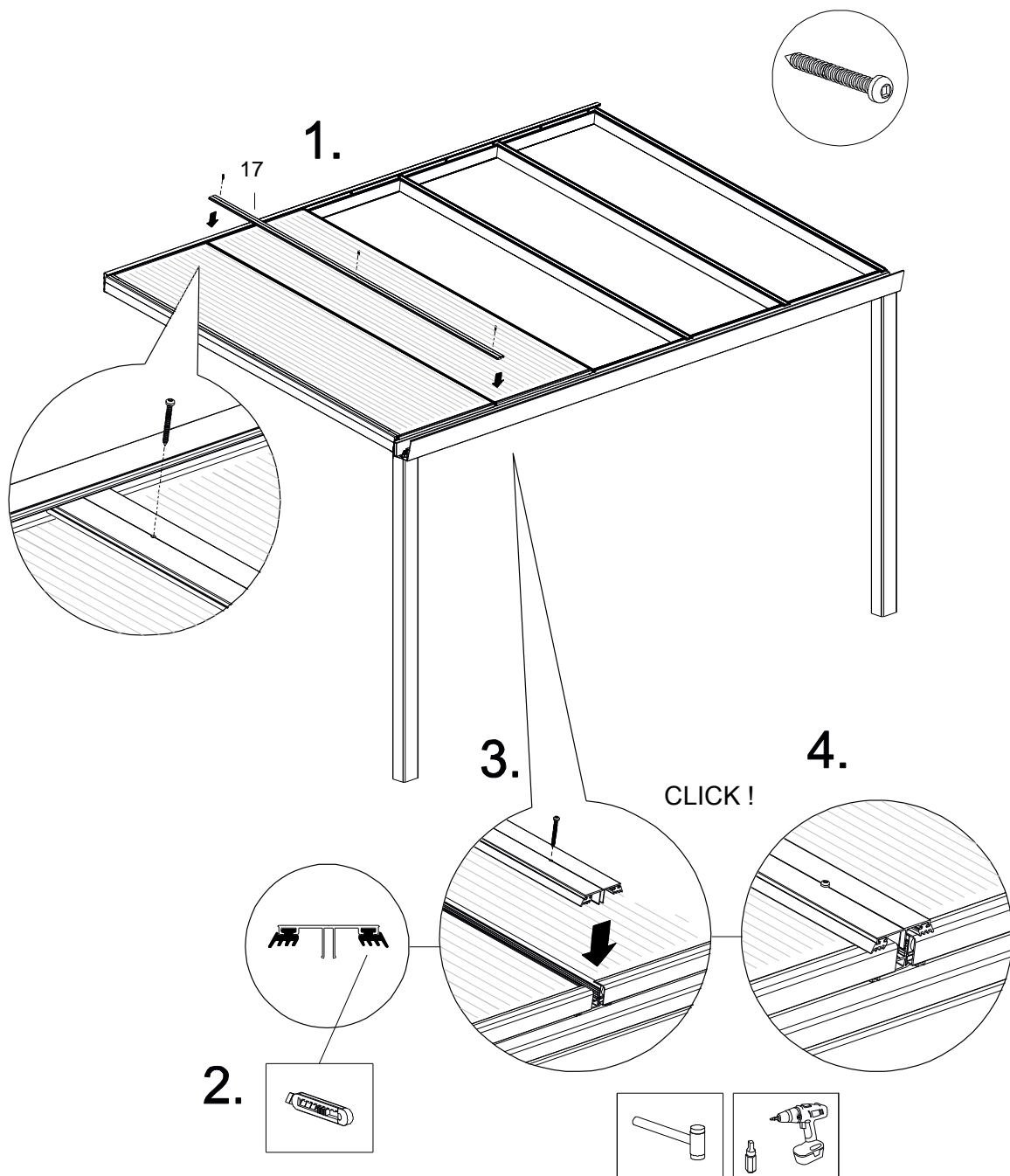
These condensation profiles have pre-drilled holes for drainage of the condensation water.



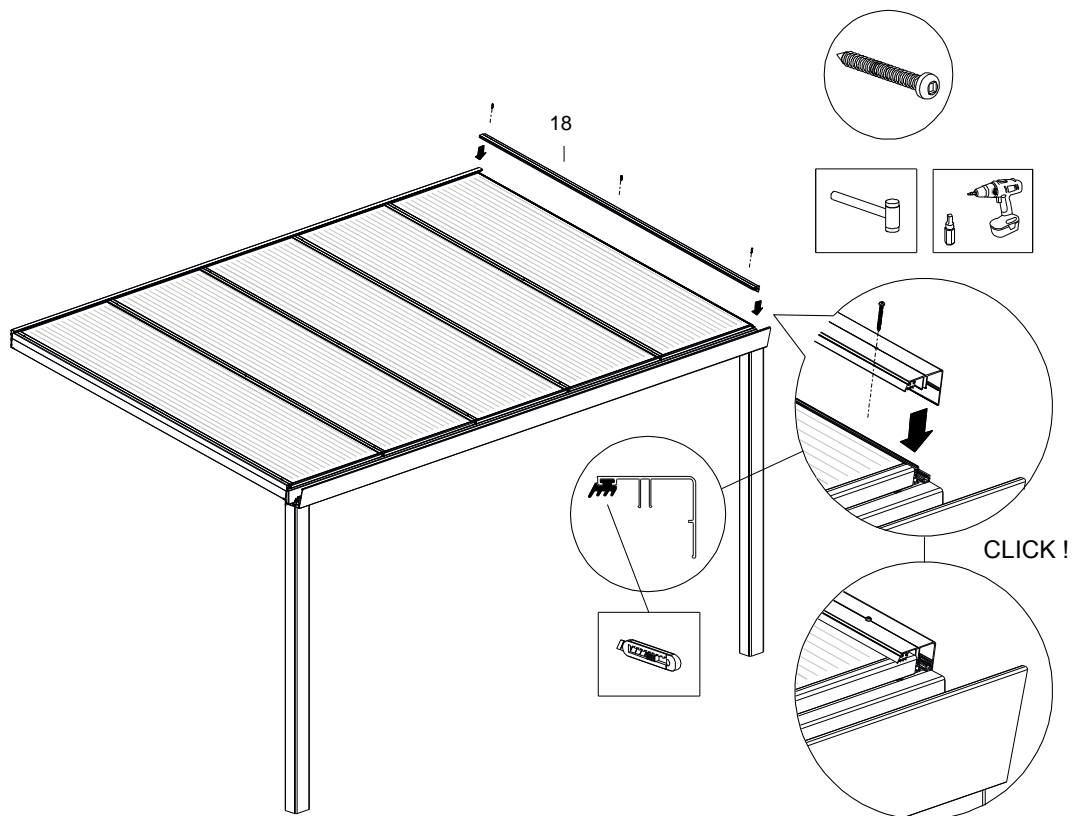
1. Place the first roofing sheet between the rafters. **Note:** UV side up, the long condensation profile with the tab down and on the gutter side.
2. Carefully cut the pre-fitted rubber seals in the aluminium end cover strip to size.
3. Pre-drill the end cover strip with a 3 mm drill bit (1 top – 1 bottom – 1 middle).
Fit the end cover strip. Position the cover strip flush with the rafter at the wall and gutter ends. At the wall end the cover strip fits just a bit under the wall profile for extra anchoring.
Once the strip is positioned correctly, click the trim click strip into the end rafter (use a rubber mallet).
4. Now screw the end cover strip to three points on the end rafter with long stainless steel screws (1 top – 1 bottom – 1 middle).



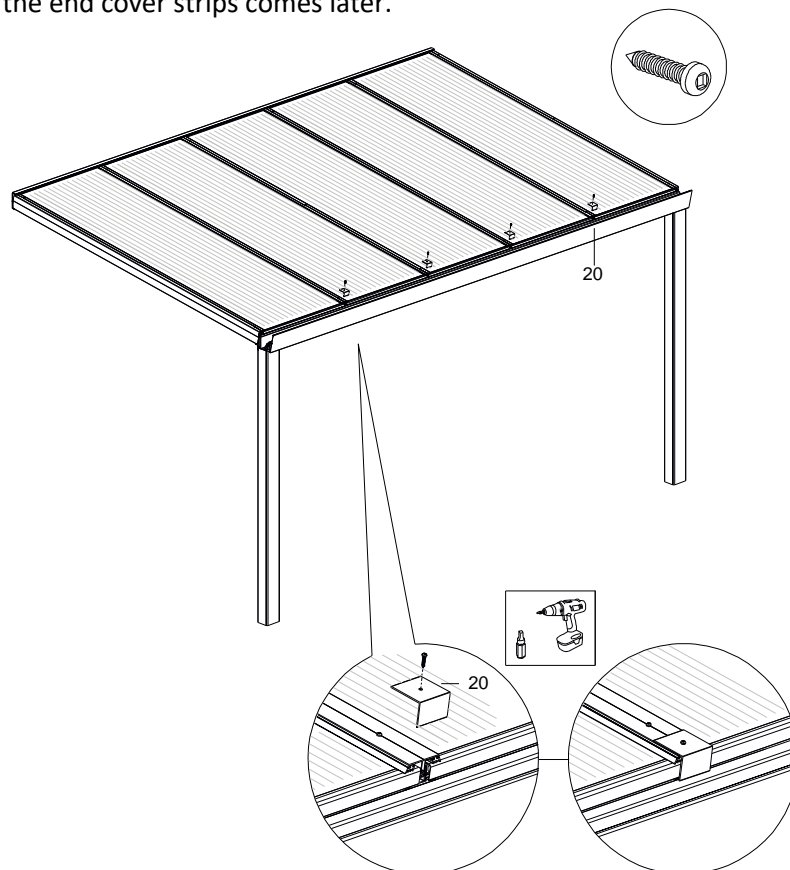
1. Place the second roofing sheet between the rafters. **Note:** UV side up, the long condensation profile with the tab down and on the gutter side.
2. Carefully cut the pre-fitted rubber seals in the aluminium middle cover strip to size.
3. Pre-drill the middle cover strip with a 3 mm drill bit (1 top – 1 bottom – 1 middle).
Fit the middle cover strip. At the wall end the cover strip fits just a bit under the wall profile for extra anchoring. Once the strip is positioned correctly, click the trim click strip into the middle rafter (use a rubber mallet).
4. Now screw the middle cover strip to three points on the middle rafter with long stainless steel screws (1 top – 1 bottom – 1 middle).



5. Repeat steps 1 to 4 on pages 31 & 32 for installation of the other cover strips.

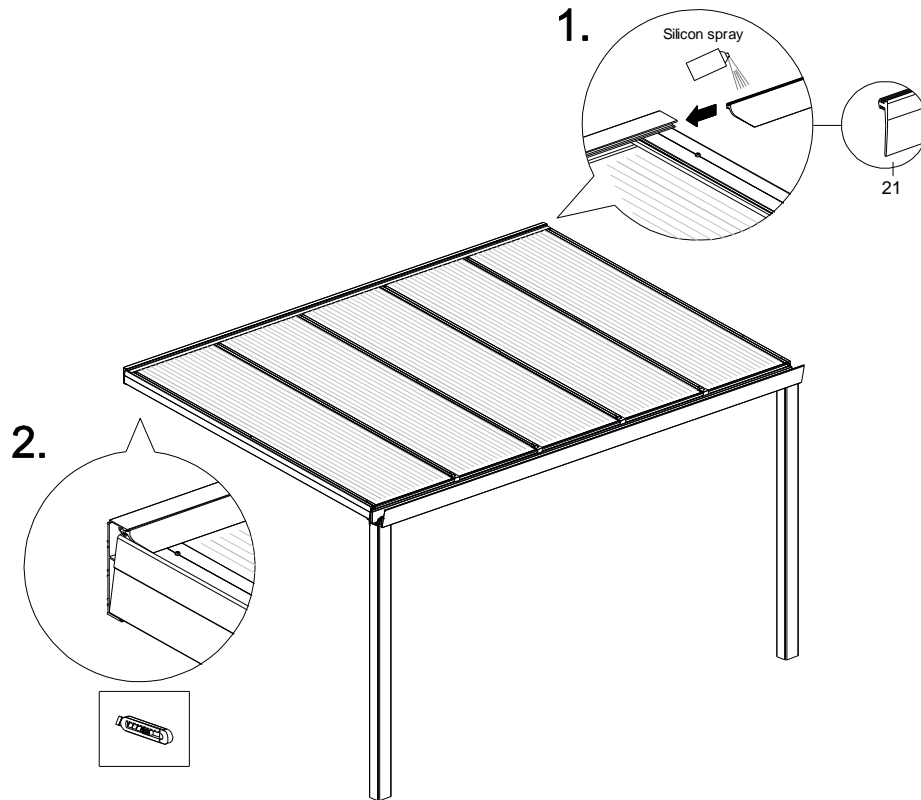


6. Now screw a sheet stopper at the gutter end of each middle rafter to ensure secure attachment.
Note: securing the end cover strips comes later.

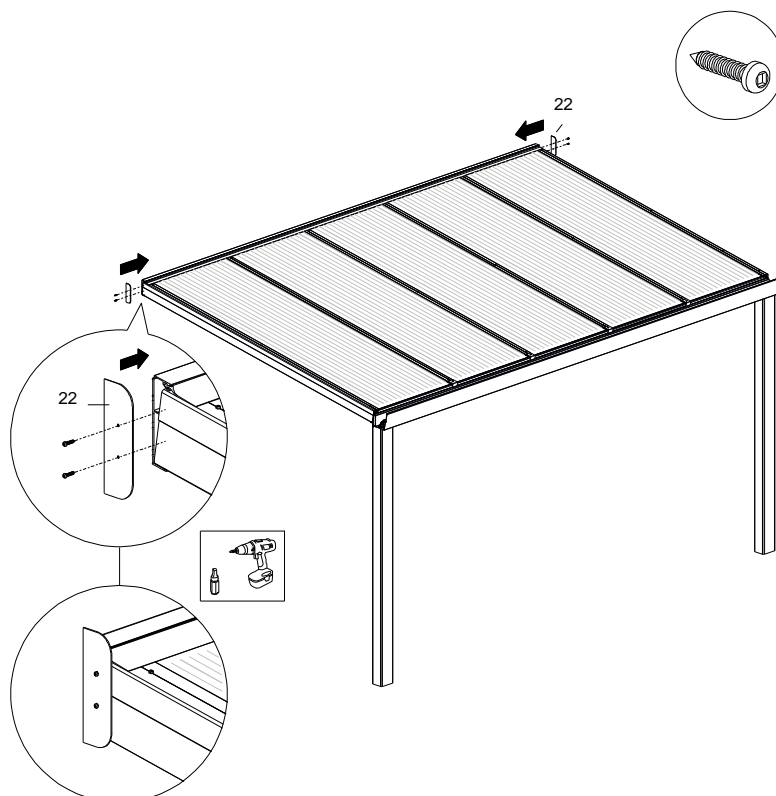


6.6 Finishing

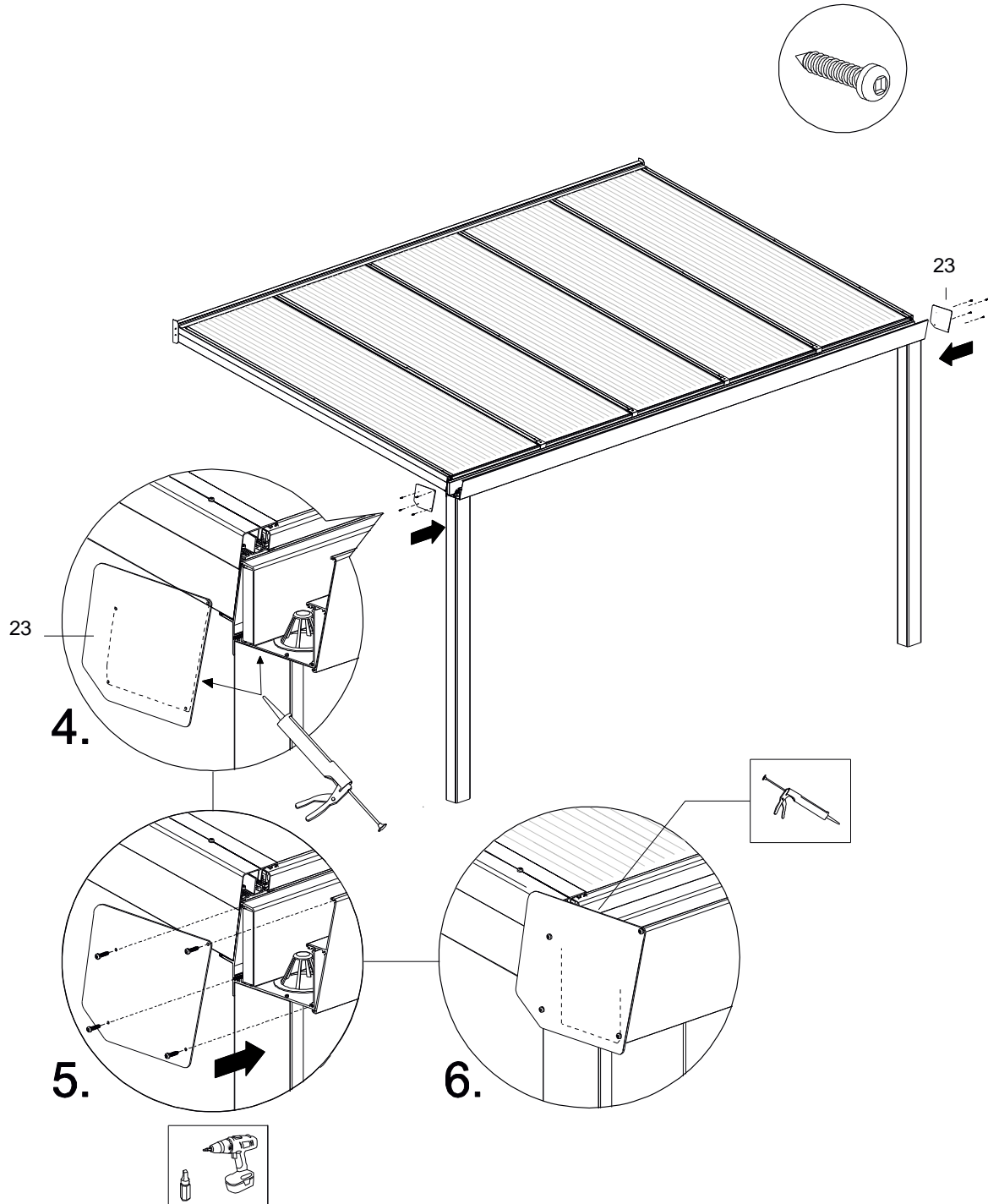
1. Position the rubber strip in the wall profile properly so it covers the sheets and cover strips.
2. Carefully cut the rubber strip to size at both ends.



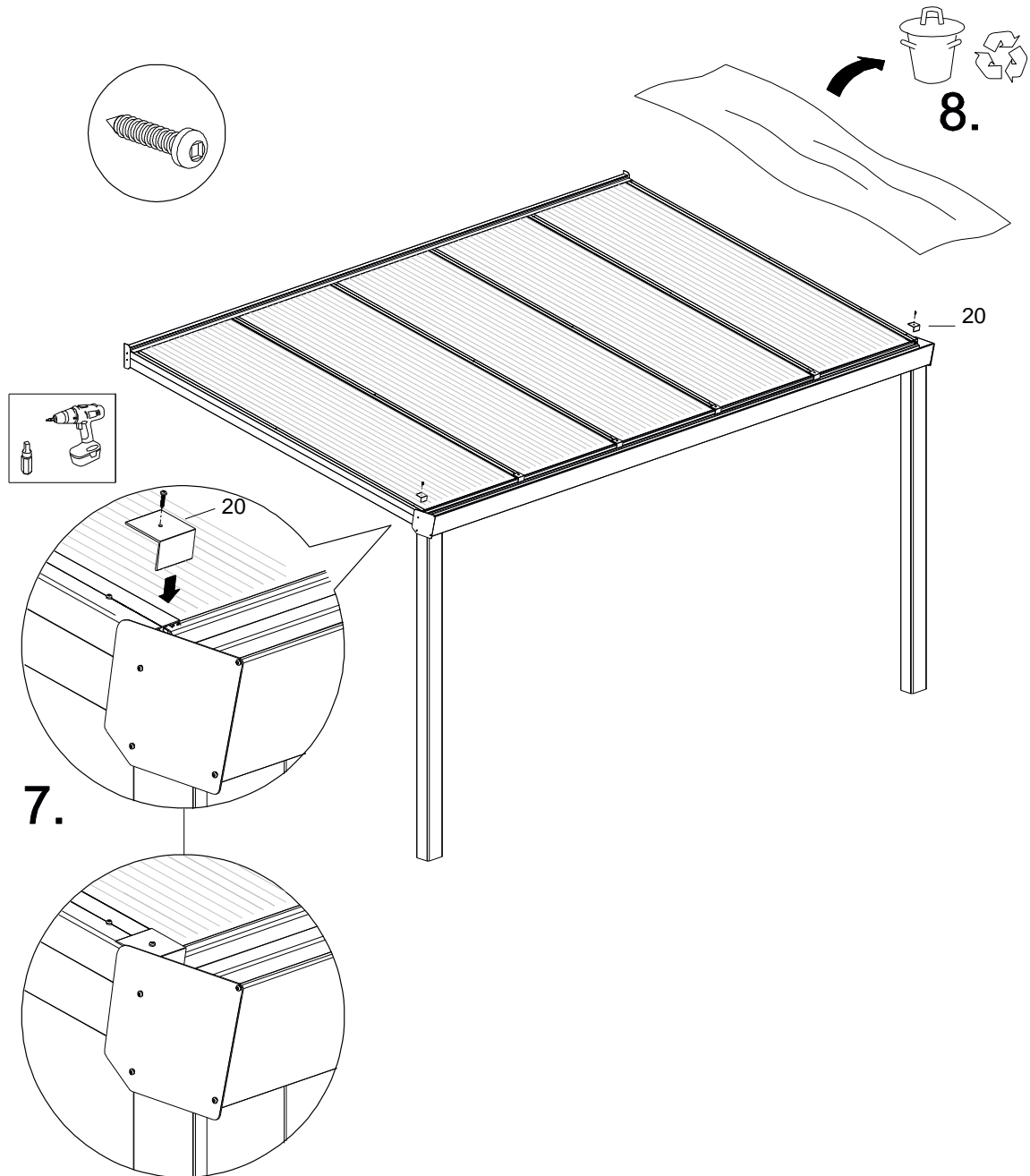
3. Screw the wall profile trim cover onto wall profile with two short screws.



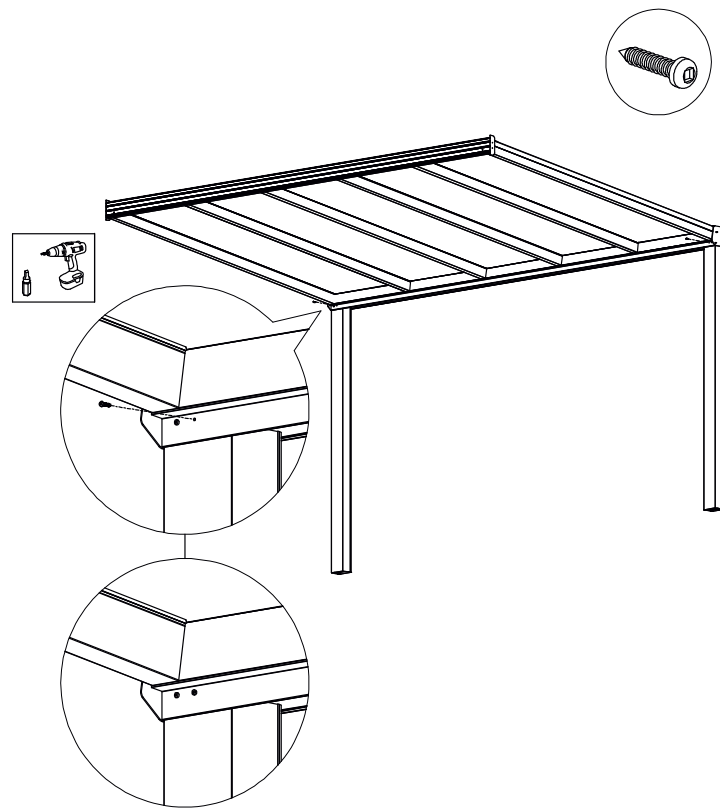
4. Apply caulk to both ends of the gutter profile and decorative profile.
5. Carefully screw the decorative profile trim cover to the gutter profile and the decorative profile with the short screws in the guides provided for this purpose.
6. Caulk the inside of the gutter so it is waterproof.



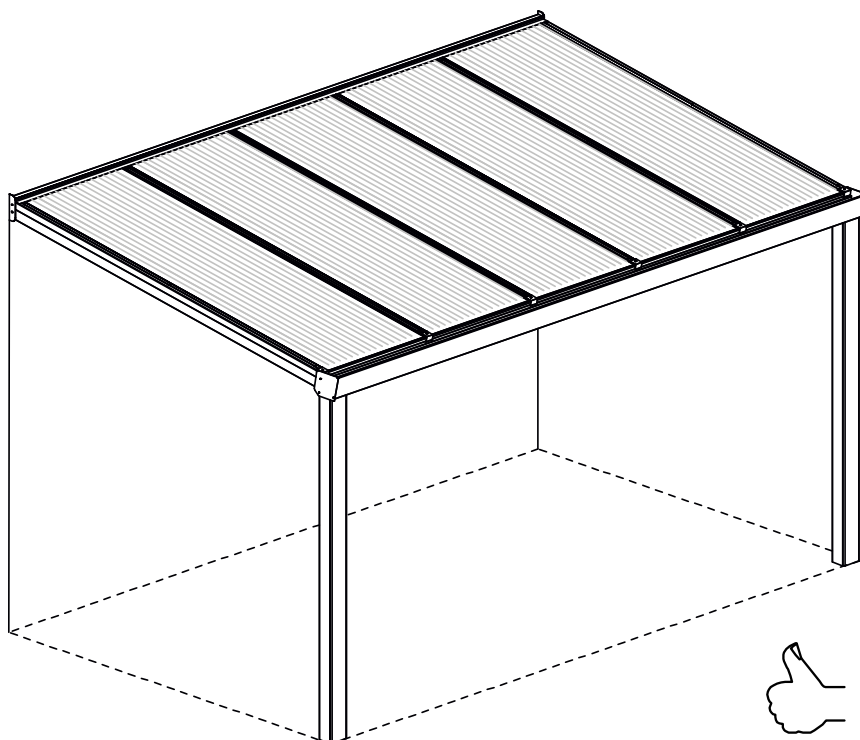
7. Now attach the sheet stoppers to the cover strips of the end rafters with the short screws.
8. Remove the protective film from the roofing sheets and the aluminium parts.



9. Secure your posts with the second short screw.
10. If there is a small gap between the top of the posts and the gutter you can seal it with caulk.



11. **Congratulations!** The roof is now finished!



7. Maintenance

We recommend that you maintain and clean your patio roof at least once a year.

Check whether the screw connections are tight. If not, tighten them firmly.

The aluminium profiles and roofing sheets that are dirty can be cleaned with lukewarm water and a cleaning product.

- Use a soft brush or sponge.
- Never use abrasives, aggressive solvents or a pressure washer.
- Wet first and rinse off with lots of water, and then wipe with a soft cloth.

Verandas UK has a special cleaning product available. Ask your dealer for more details.

8. Disposal of waste

Dispose of the product according to local laws and regulations.

9. Warranty conditions

Warranty in accordance with the warranty conditions and Deponti's general terms and conditions. These can be found on the website www.verandasuk.co.uk.

10. Contact

Your dealer is your first point of contact for questions and comments.

Verandas UK

T: 07824535855

E: Info@verandasuk.co.uk